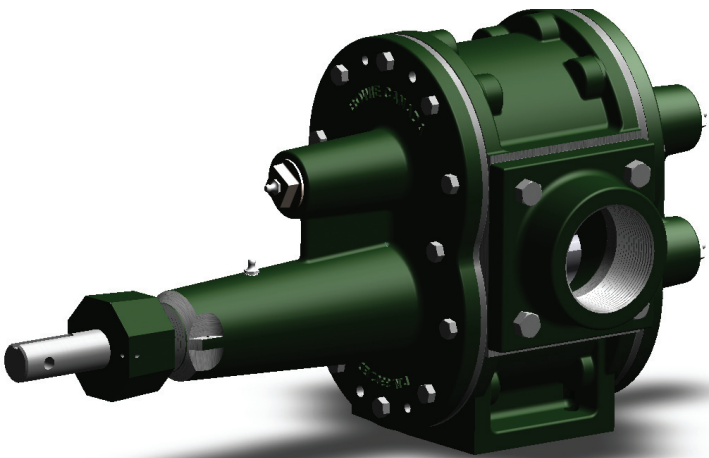




## 300 Series

The industry standard in rubber gear pumps, the Bowie 300 Series is known for its low cost of ownership and ease of maintenance. The 300 Series is now available with helical steel or delrin gears for use in conditions where high fluid temperatures or chemical compatibility do not allow for the use of rubber gears. Known for its ease of repair, this pump has been the backbone of the Bowie product line in North America for over 25 years.



### MAIN LOCATION

9333 - 41 Avenue NW  
Edmonton, AB T6E 6R5  
Ph. (780) 465-7812  
Fx. (780) 469-2587

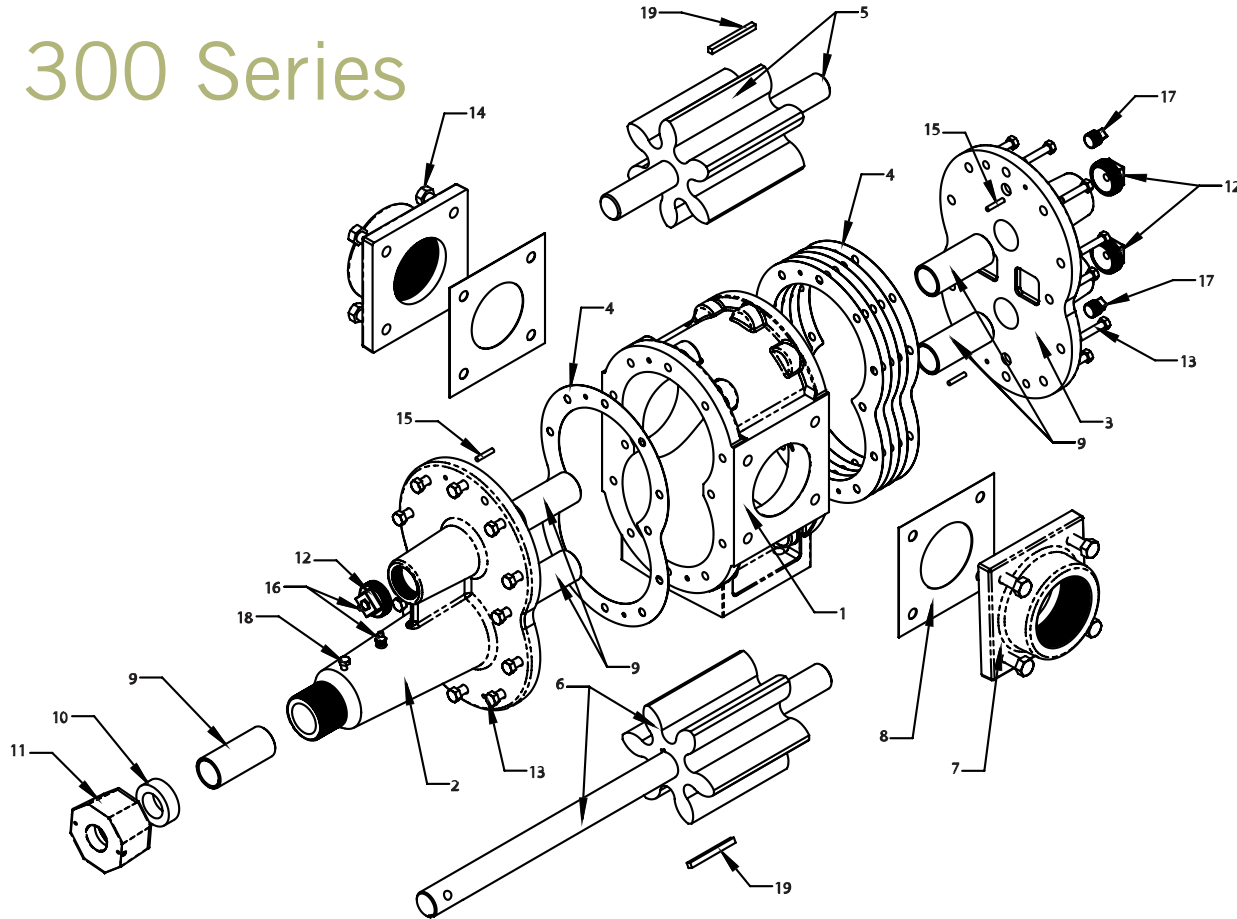
**1.877.TOBOWIE**

### BRANCH LOCATION

#34, 147 Citation Drive  
Vaughan, ON L4K 2P8  
Ph. (905) 760-0174  
Fx. (905) 760-0171

**[www.bowiepumps.com](http://www.bowiepumps.com)**

# 300 Series



Ref #	Part #	Description	Qty
1	303	Centre Case	1
2	302	Front Plate (c/w Bushing)	1
3	307	Back Plate (c/w Bushing)	1
4	306	Pump Gasket	8
5	304	Nitrile Gear-Idler	1
6	305	Nitrile Gear-Drive	1
7	310	Adapter Flange	2
8	311	Adapter Flange Gasket	2
9	309B	Bronze Bushings	5
10	313G	Graphite Packing	1
11	301	Packing Nut	1
12	308BF	End Plug (c/w fittings)	3
13	314	End Plate Bolts	24
14	*	Adapter Flange Bolts	8
15	315	Dowel Pin	4
16	316	Grease Fitting	4
17	318	Drain Plug	2
18	*	Secure Wire	1
19	304K	Gear Key	2