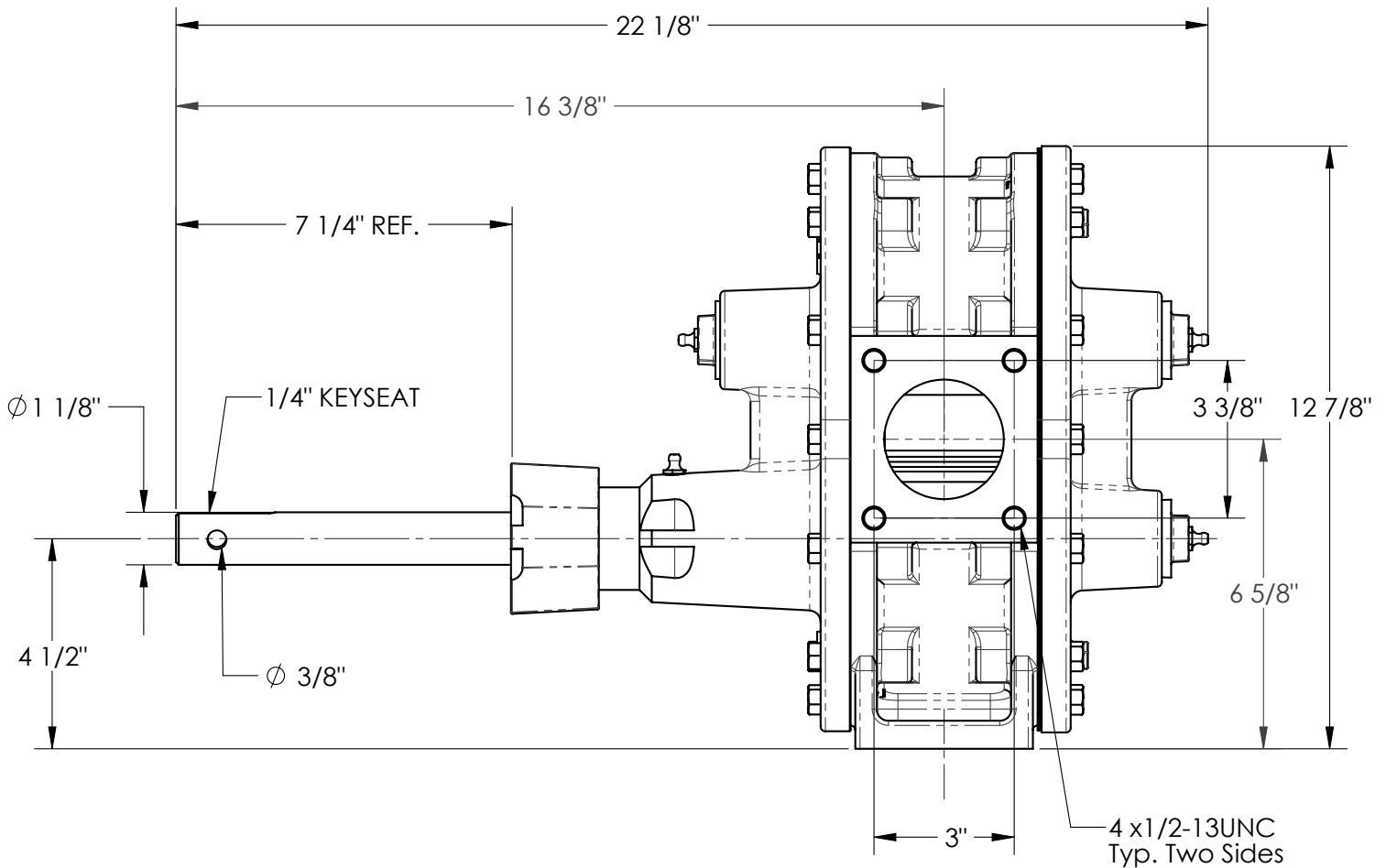
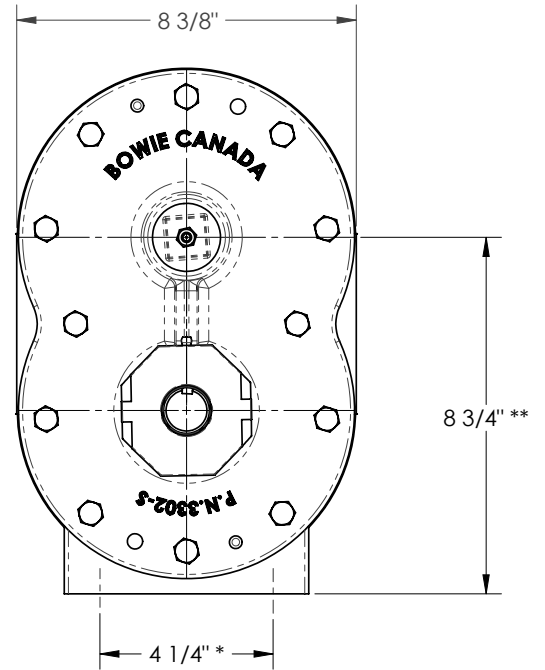
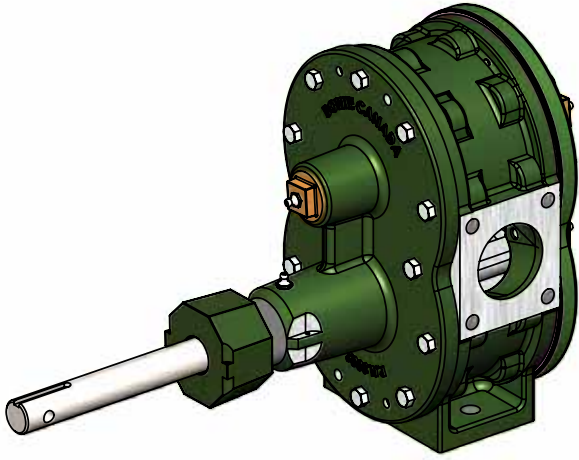


ECO-SEAL™ SERIES 2300 S

Dimensions



- * BASE HOLE PATTERN 2 x 5/8";
- ** DRIVE "ON TOP" APPLICATION IS AVAILABLE;