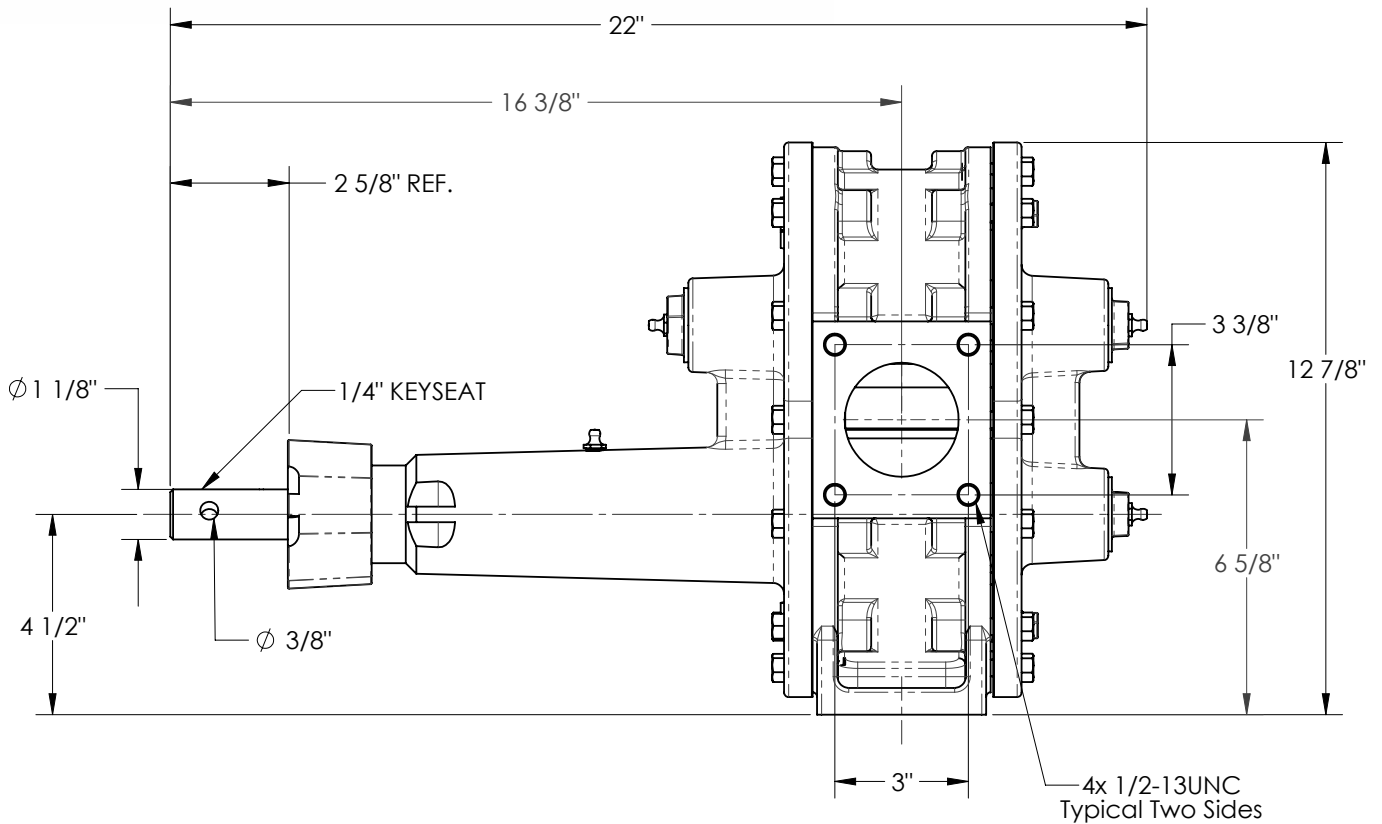
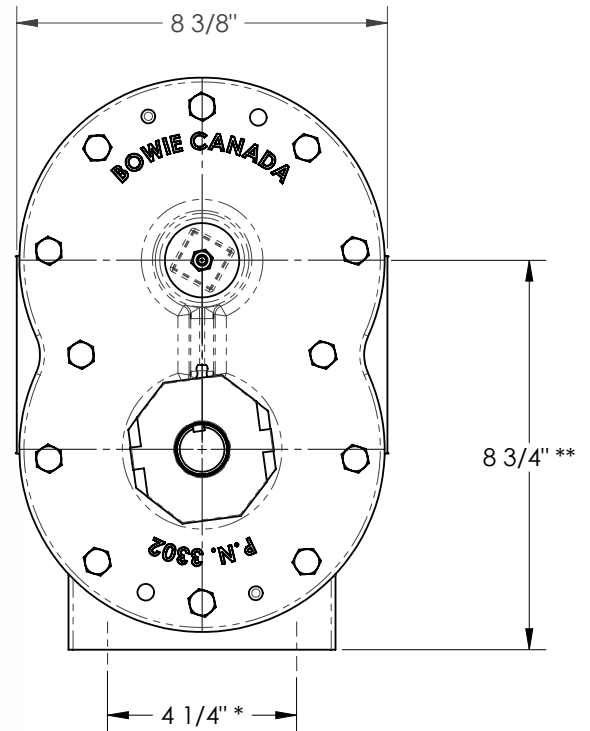
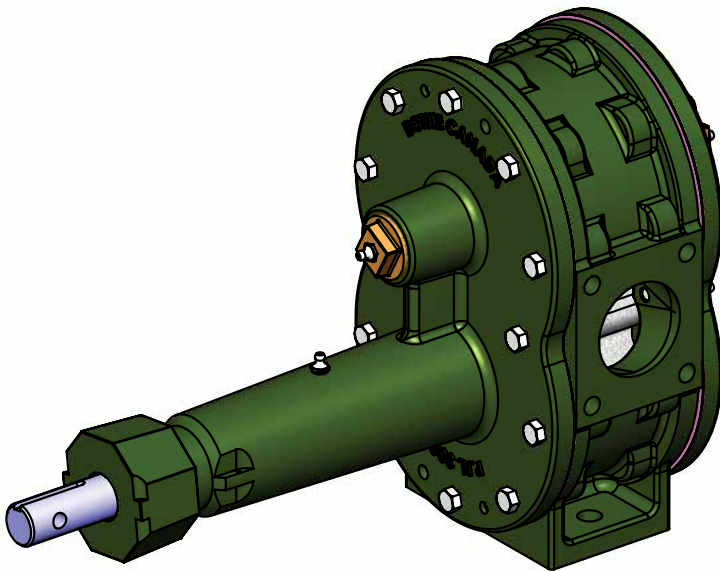


# SIGNATURE™ SERIES 2300

## Dimensions



\* BASE HOLE PATTERN 2 x  $\phi 5/8"$ ;  
\*\* DRIVE "ON TOP" APPLICATION IS AVAILABLE;