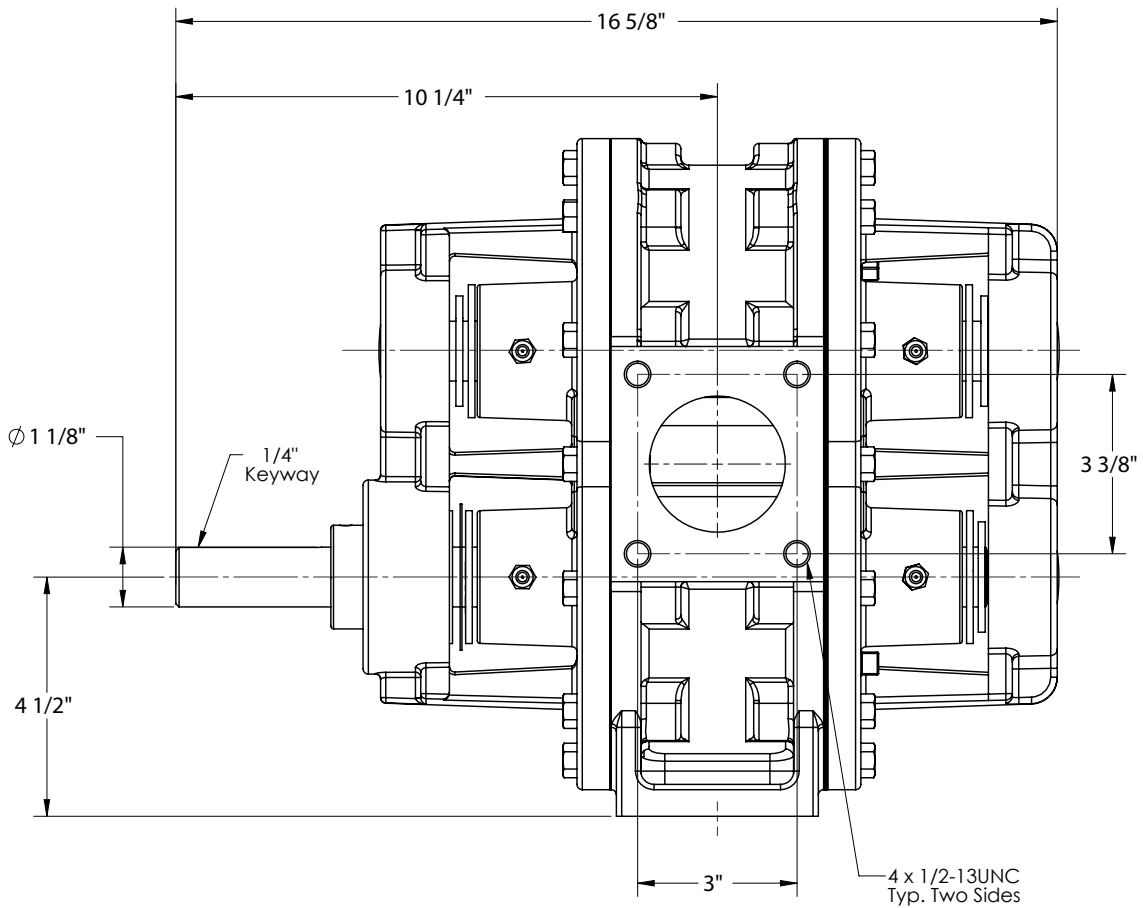
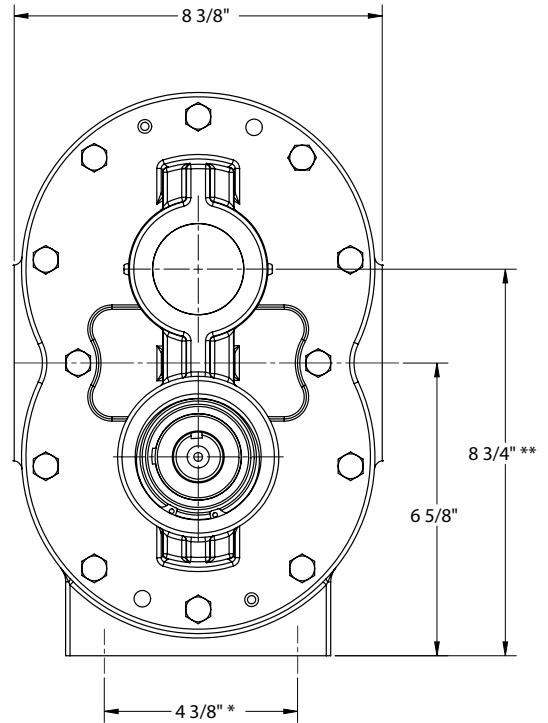
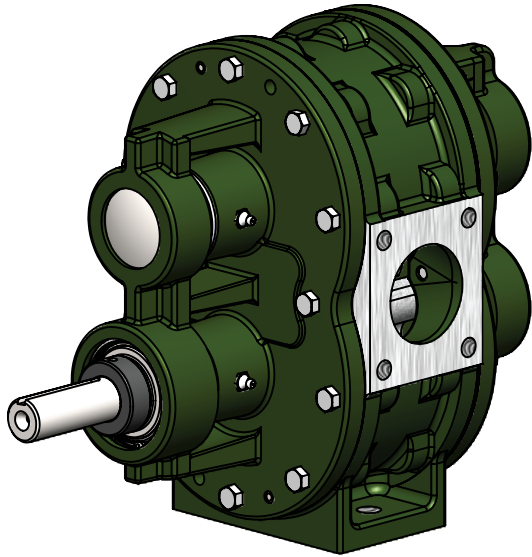


XP™ SERIES 2400

Dimensions



* BASE HOLE PATTERN 2 x $\phi 5/8"$;
** DRIVE "ON TOP" APPLICATION IS AVAILABLE;