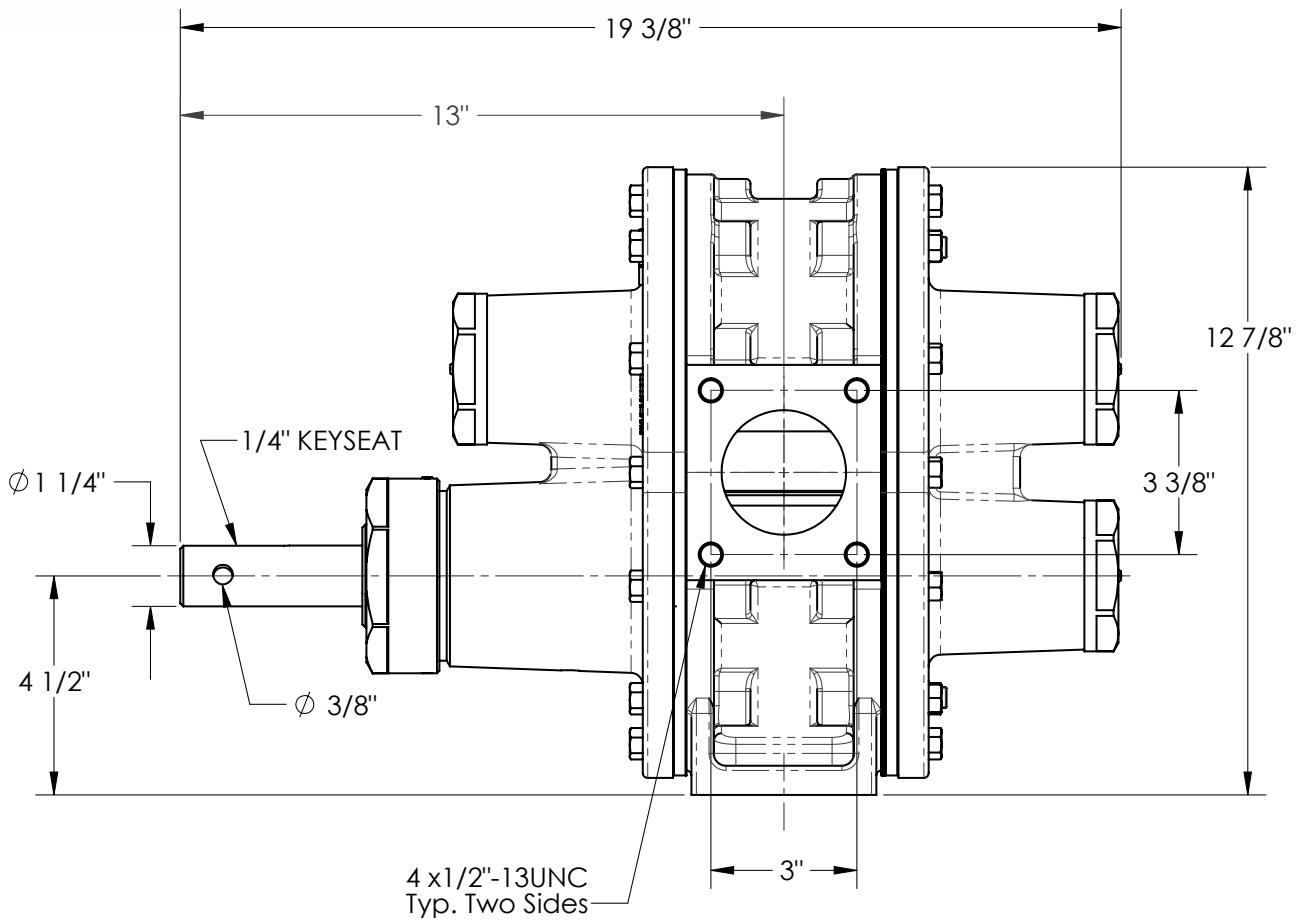
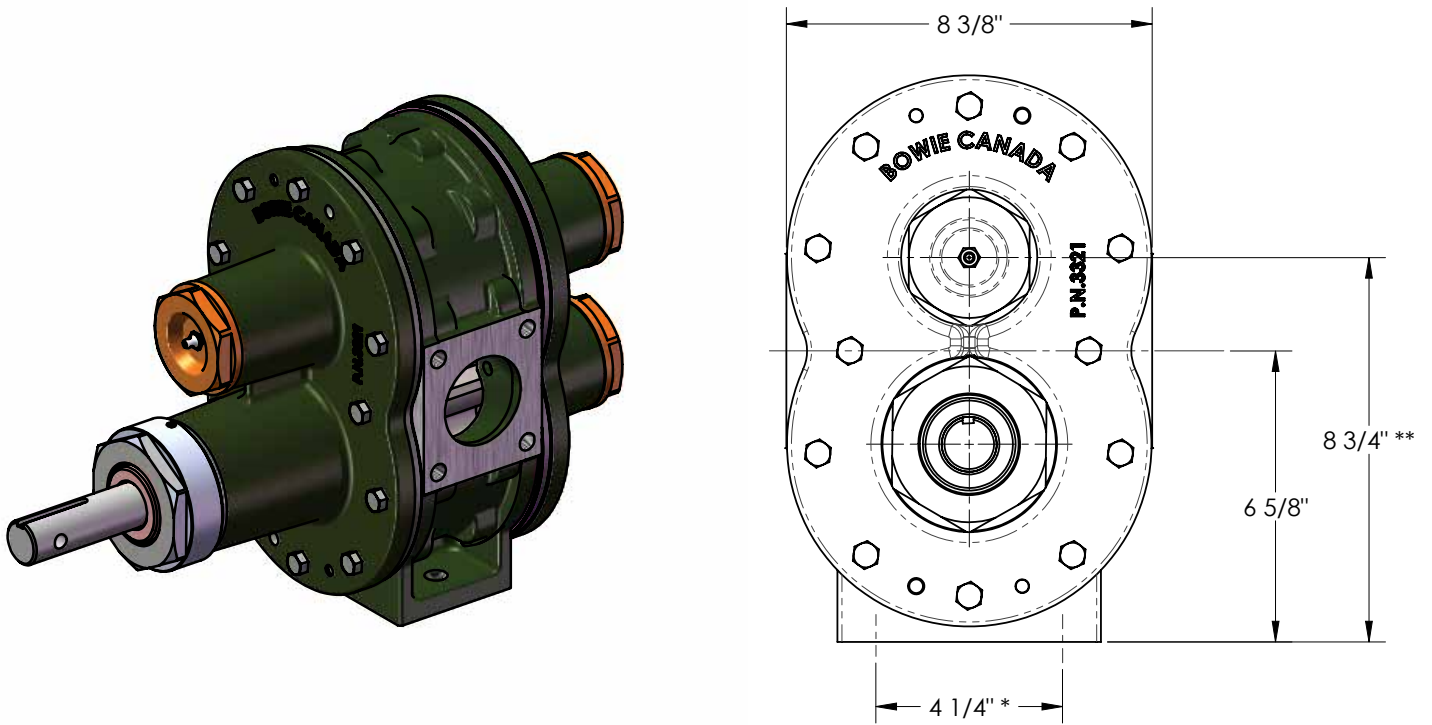


# ULTRA-SEAL™ SERIES 2600

## Dimensions



\* BASE HOLE PATTERN  $2 \times \phi \frac{5}{8}$ ";  
\*\* DRIVE "ON TOP" APPLICATION IS AVAILABLE;