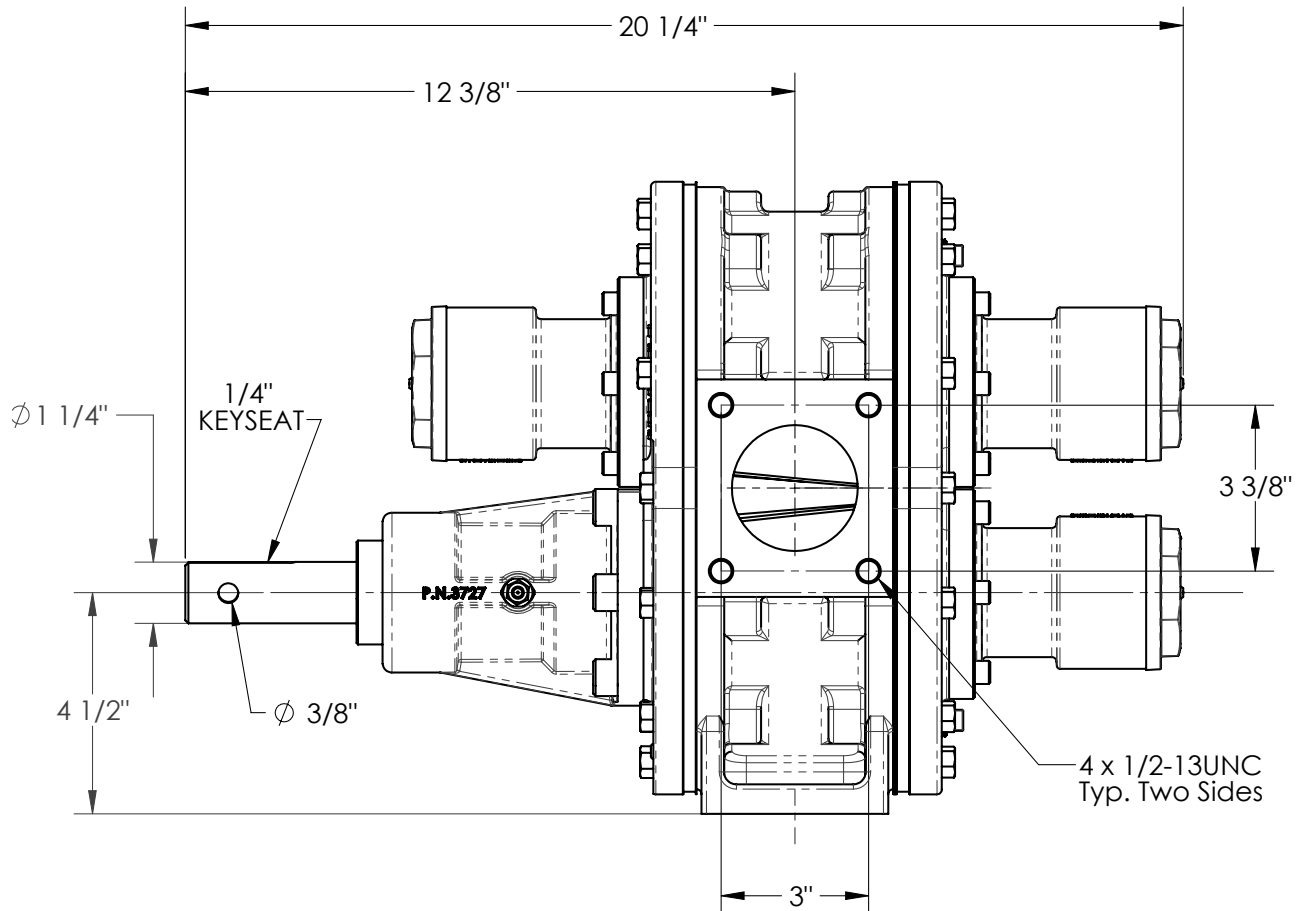
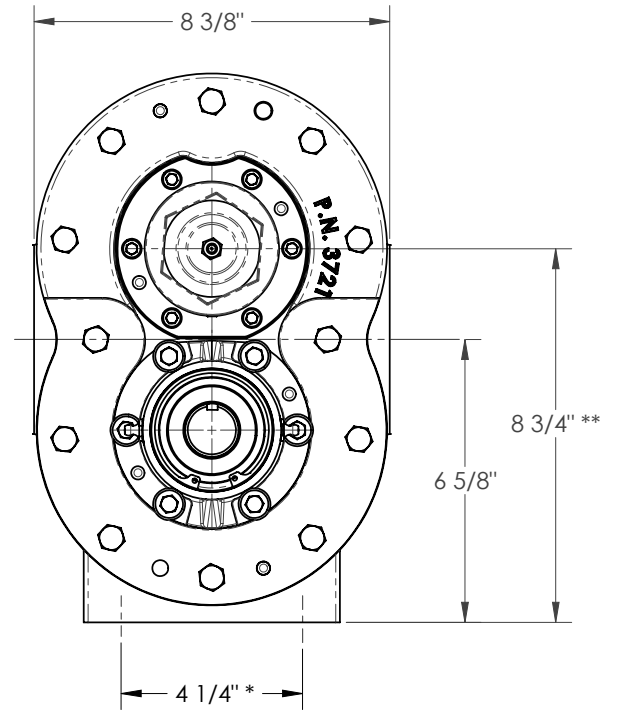
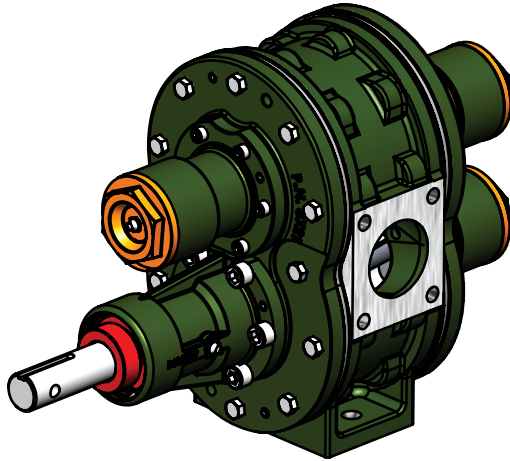


# DURA-SEAL™ SERIES 2700

## Dimensions



\* BASE HOLE PATTERN 2 x  $\varnothing$  5/8";  
\*\* DRIVE "ON TOP" APPLICATION IS AVAILABLE;