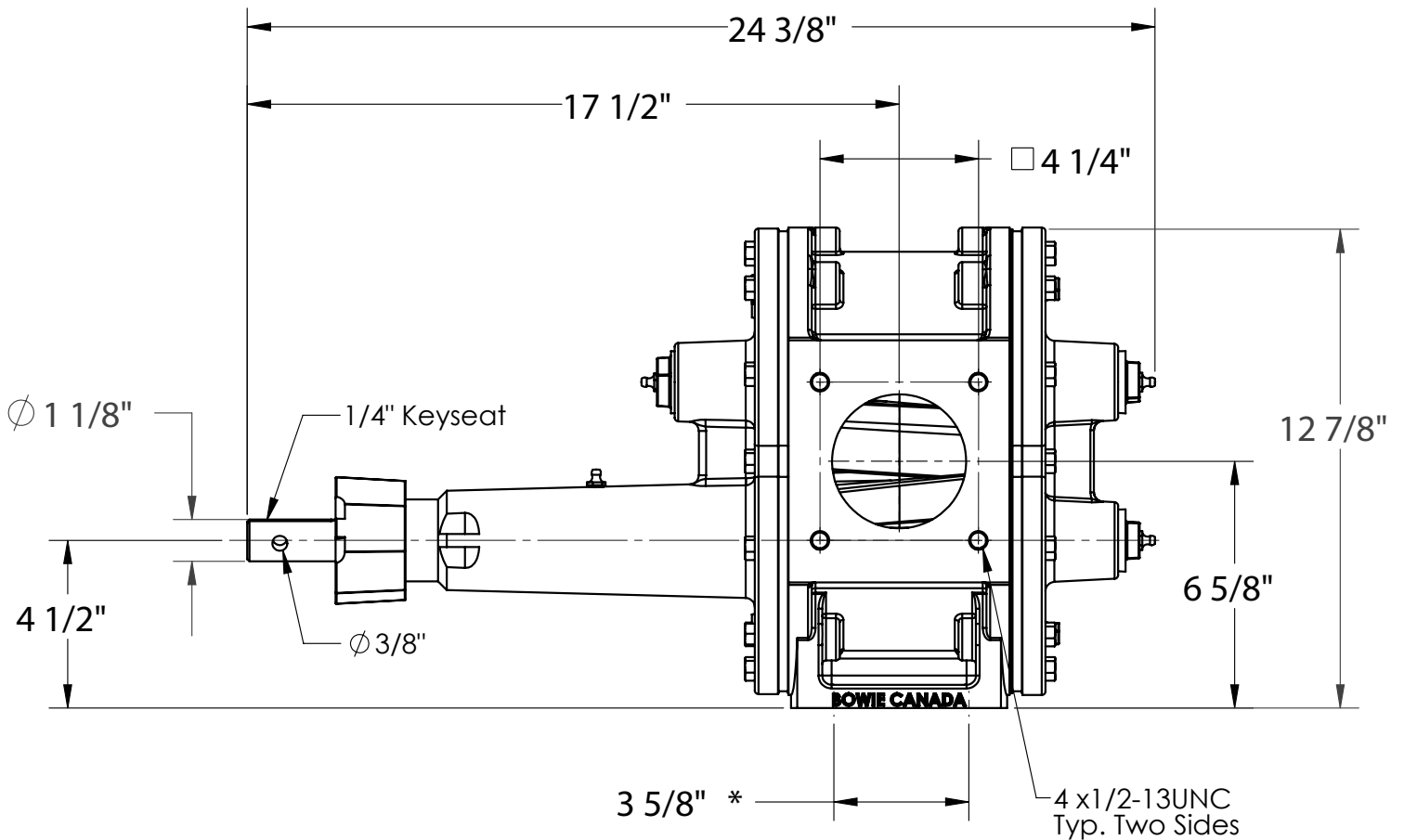
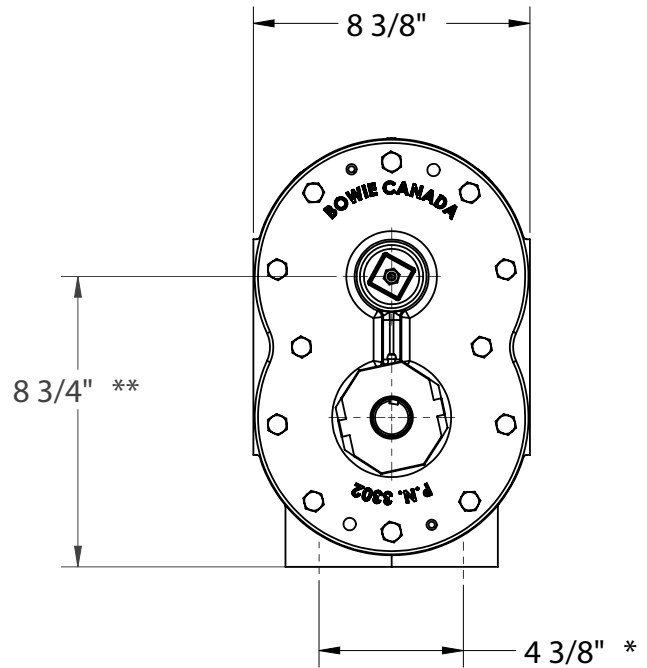
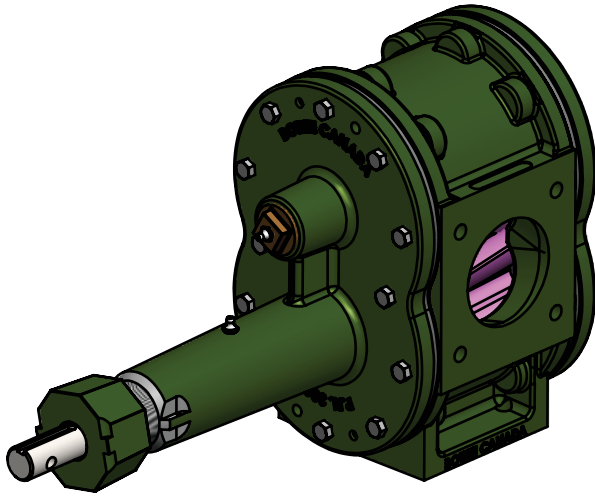


ECO-SEAL™ SERIES 3300

Dimensions



* BASE BOLT PATTERN 4 x 1/2-13 UNC;

** DRIVE "ON TOP" APPLICATION IS AVAILABLE;