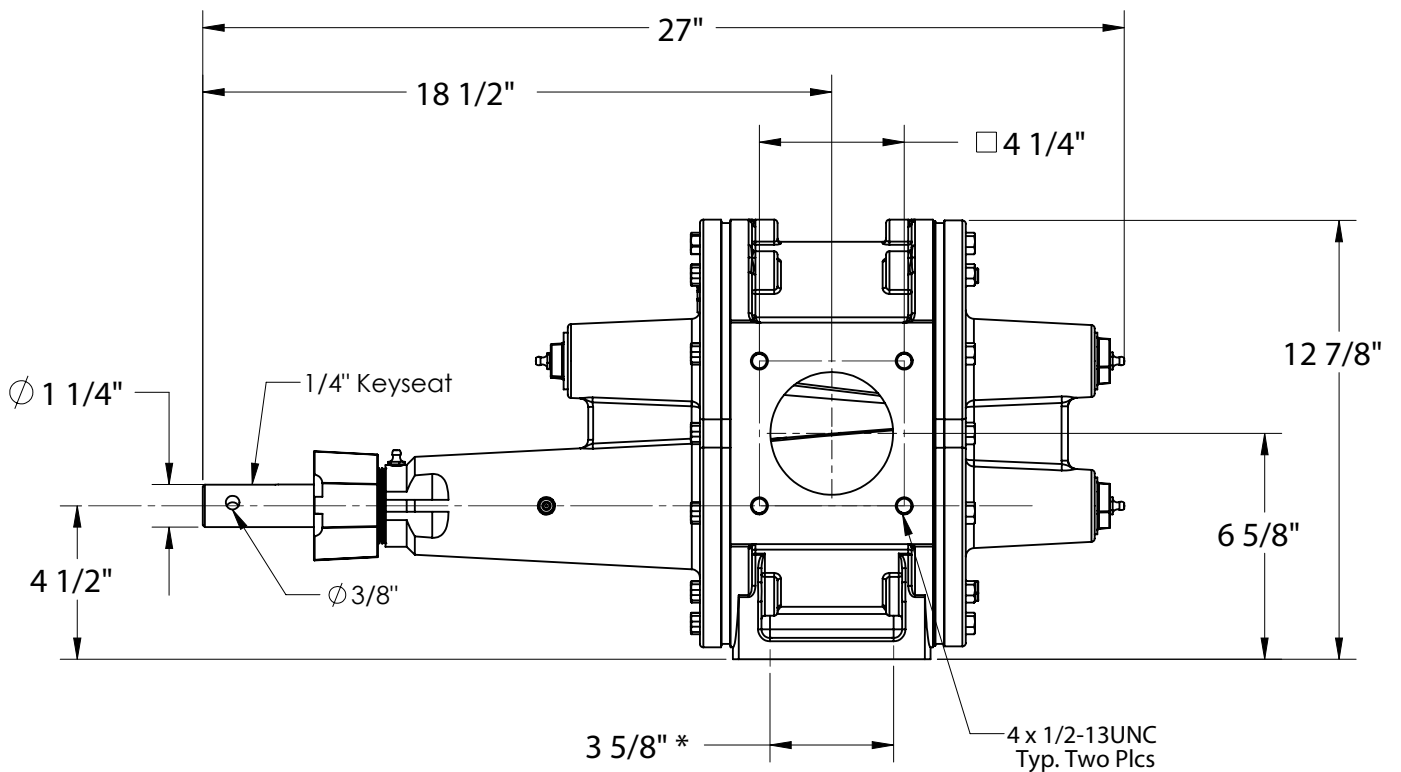
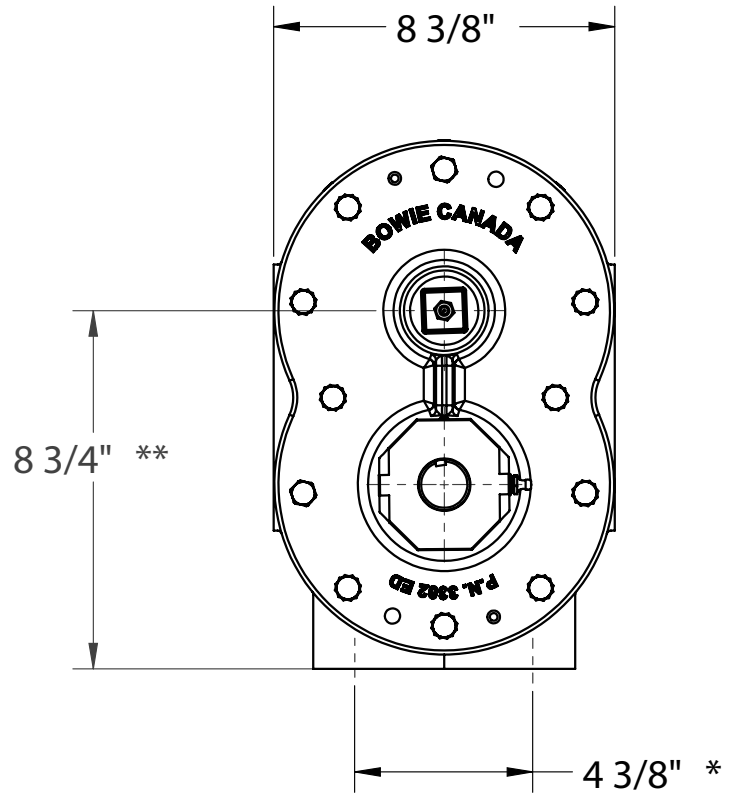
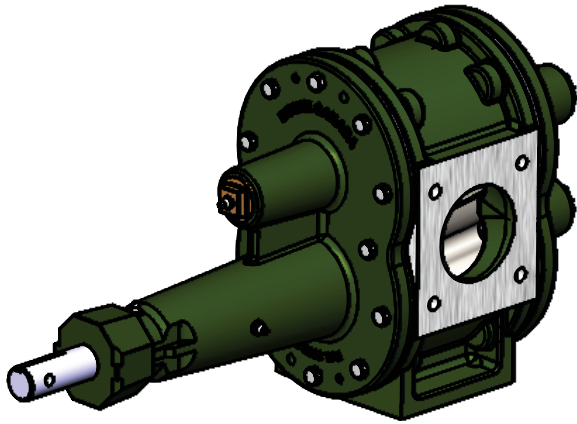


ECO-SEAL™ SERIES 3300 ED

Dimensions



* FOR REFERENCE: BASE BOLT PATTERN 4 x 1/2-13 UNC;
** DRIVE "ON TOP" APPLICATION IS AVAILABLE;