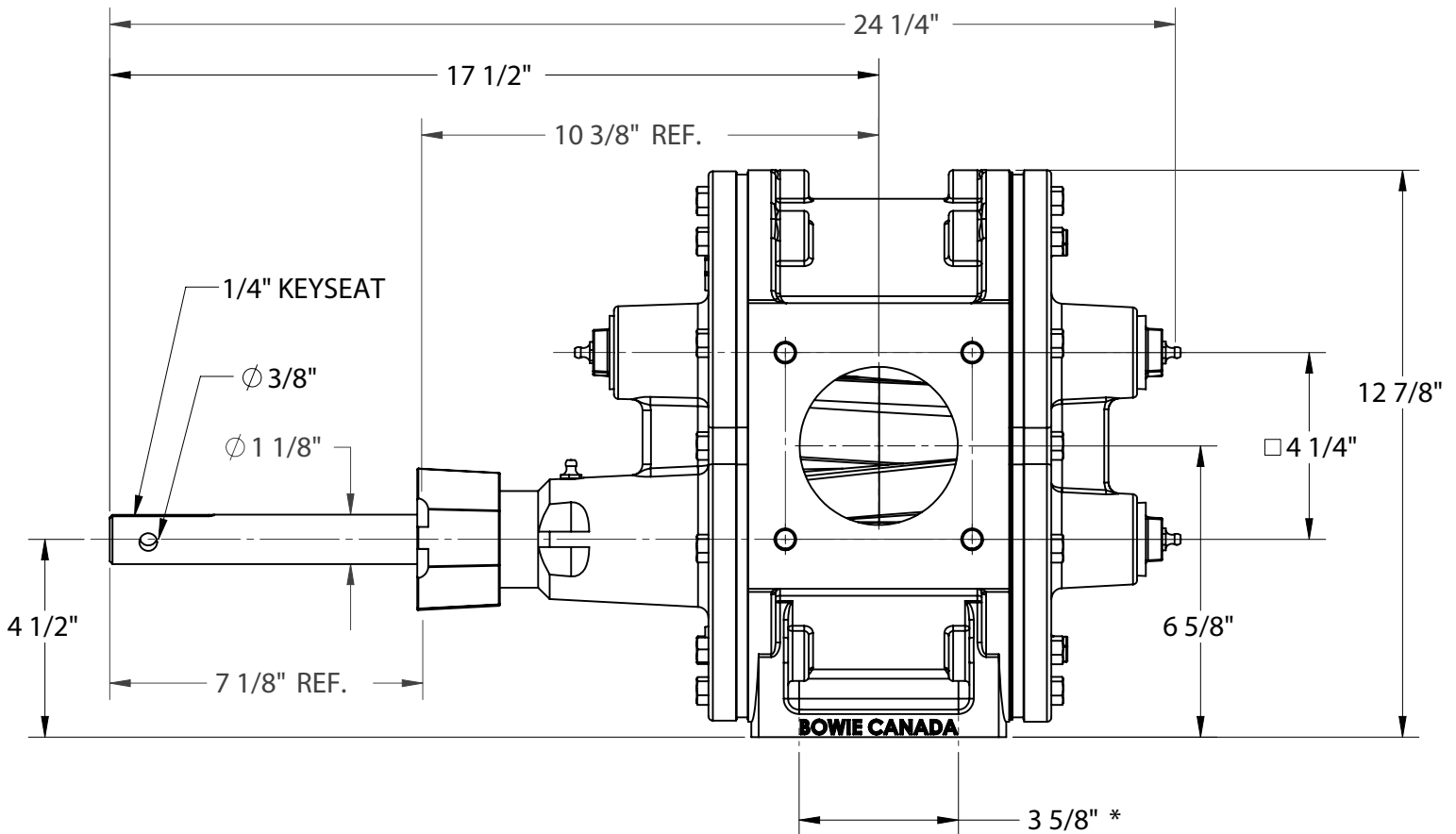
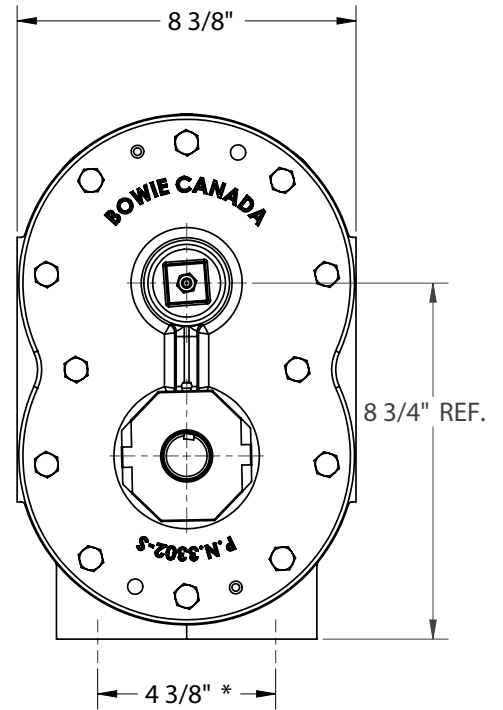
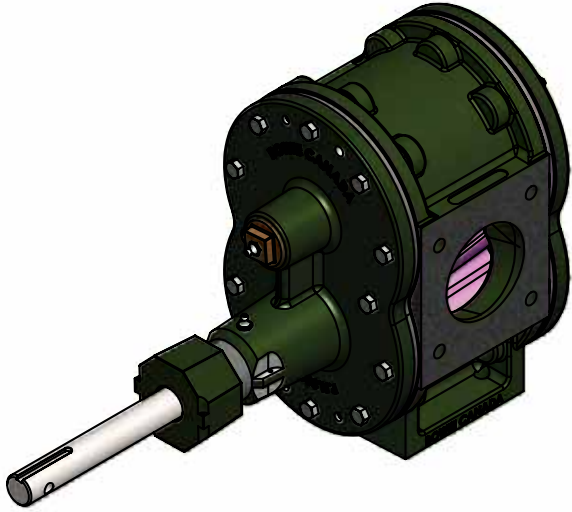


ECO-SEAL™ SERIES 3300 S

Dimensions



* BASE BOLT PATTERN 4 x 1/2-13 UNC;

** DRIVE "ON TOP" APPLICATION IS AVAILABLE;

"LEFT" & "RIGHT" applications are shown;

