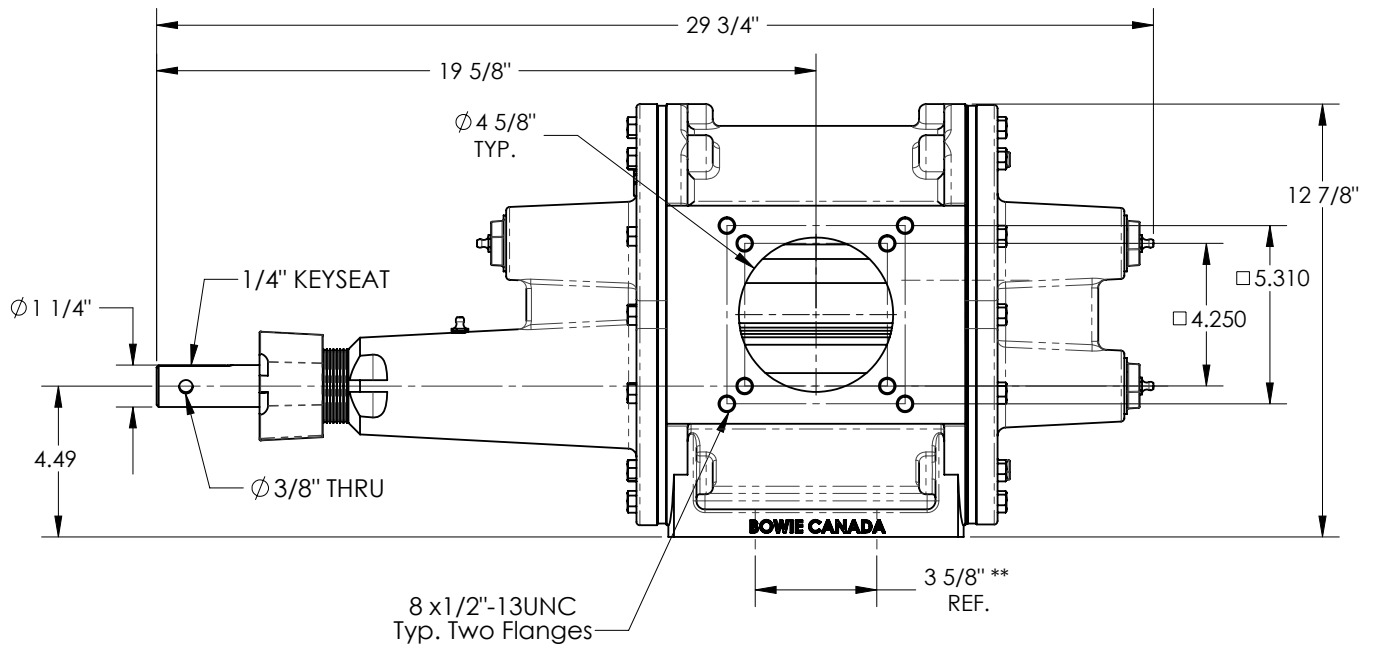
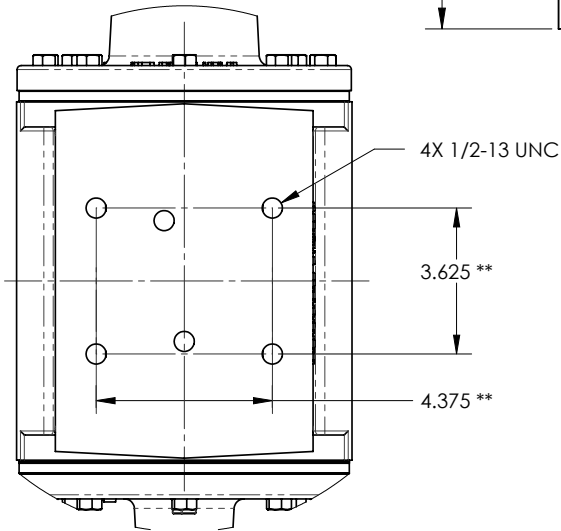
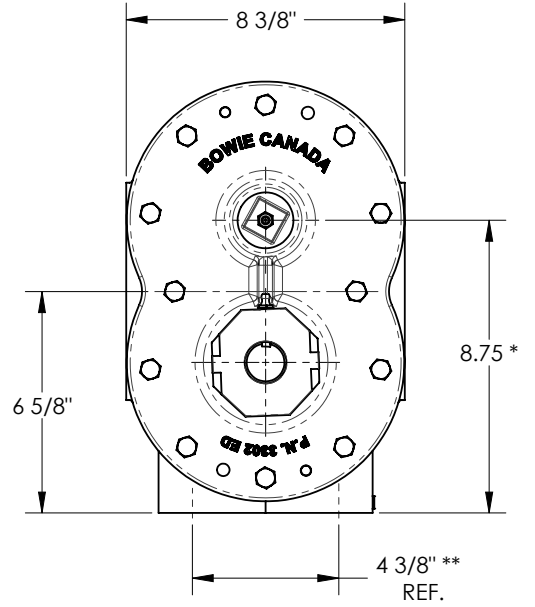
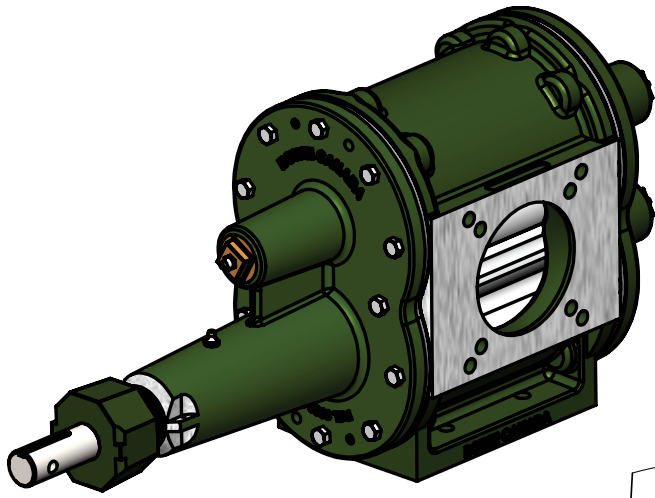


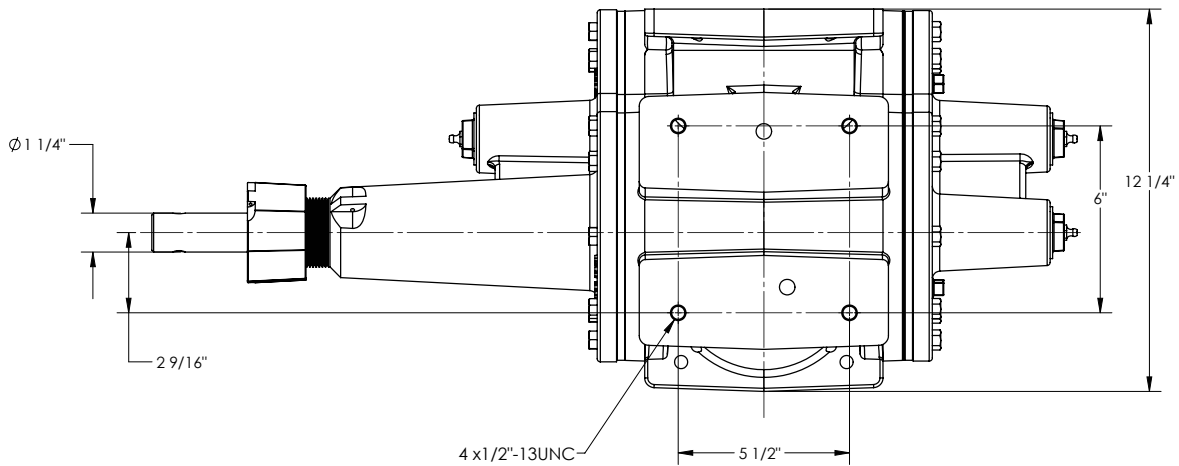
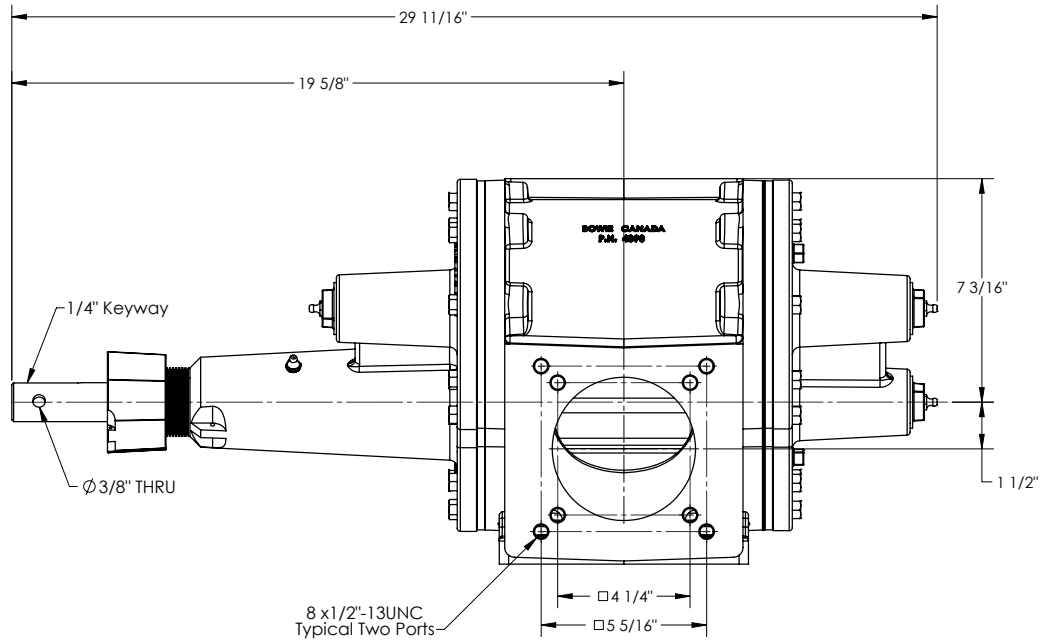
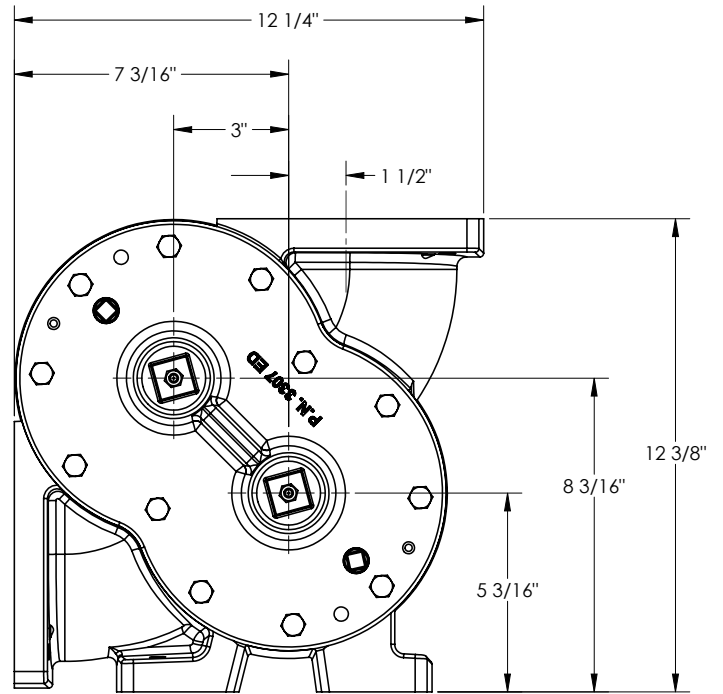
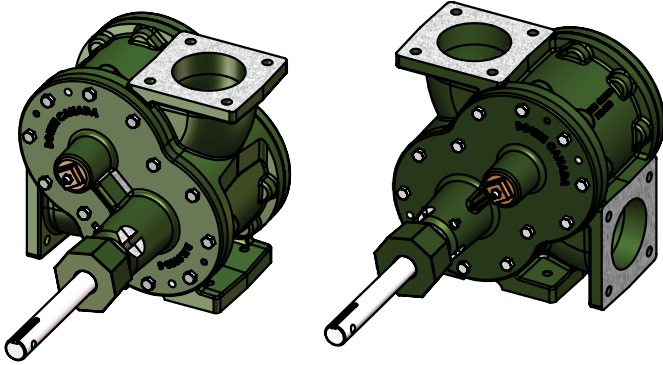
# SIGNATURE SERIES 4300 ED

## Dimensions



FOR REFERENCE: BASE BOLT PATTERN 4 x 1/2-13 UNC

DRIVE "ON TOP" APPLICATION IS AVAILABLE;  
 "LEFT" & "RIGHT" configurations are shown;



**BOTTOM VIEW**