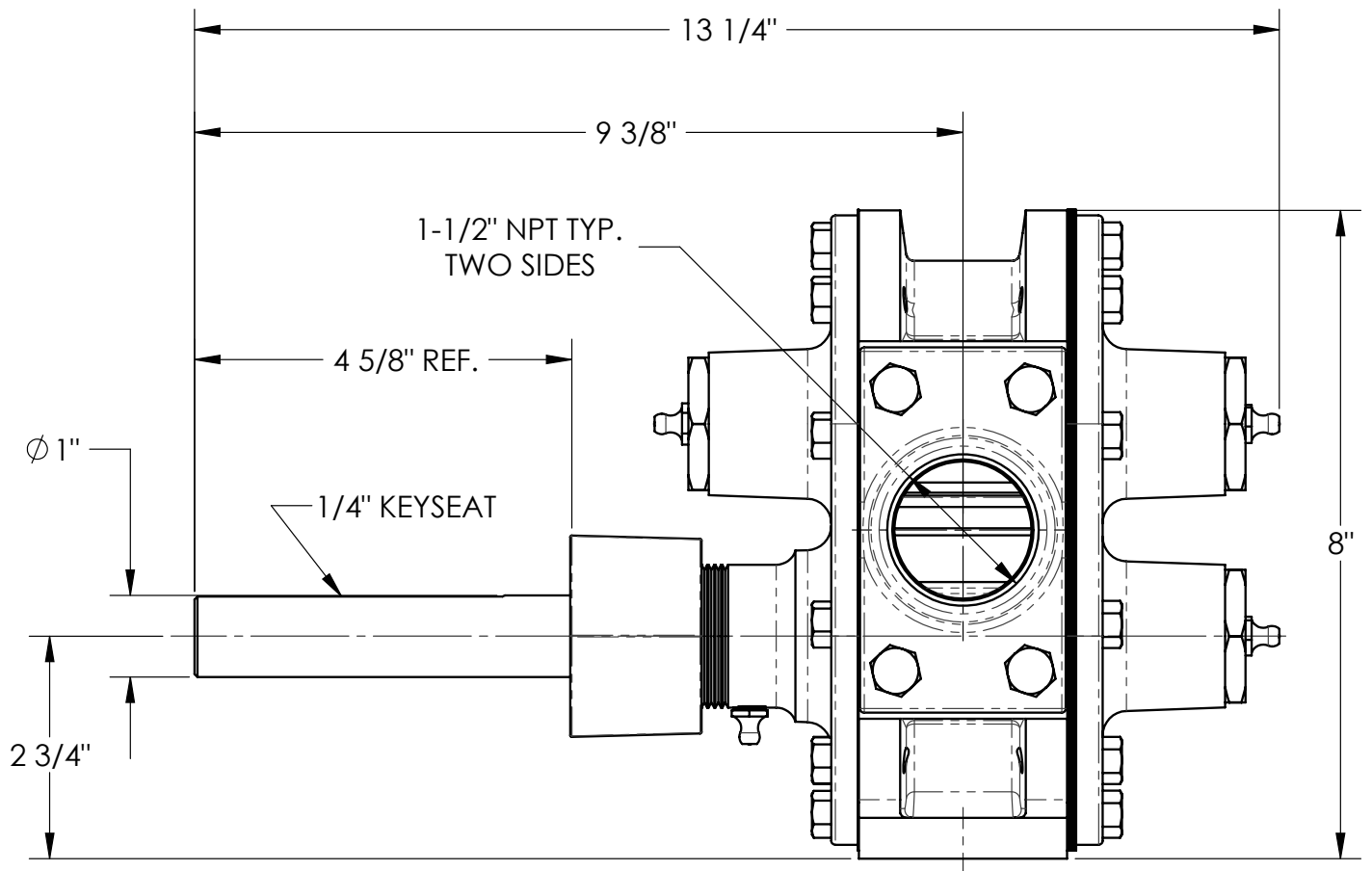
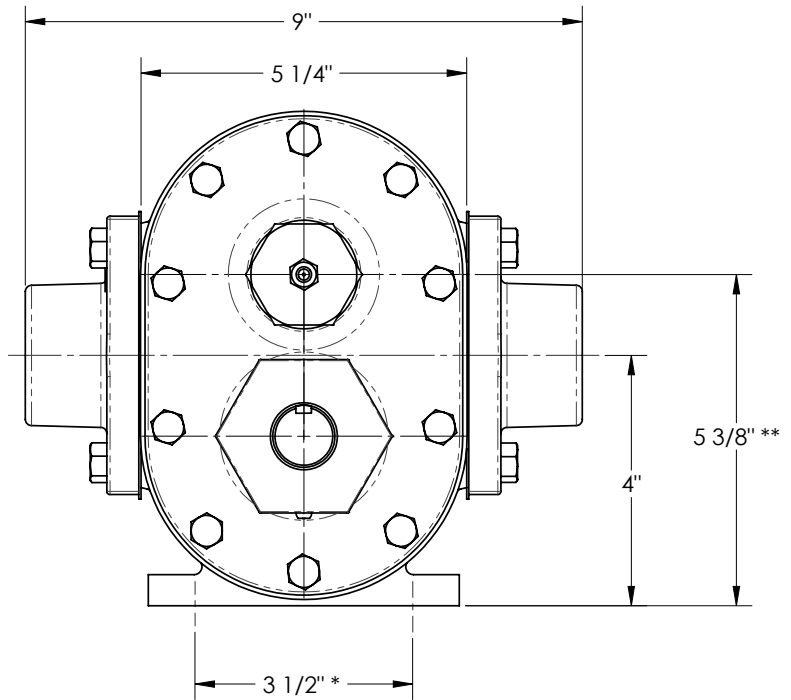
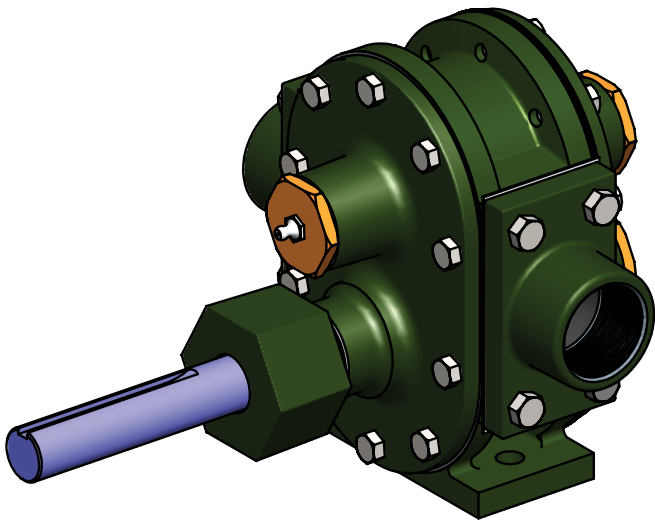


SIGNATURE™ SERIES 9100

Dimensions



* BASE HOLE PATTERN 2 x 5/8";

** DRIVE "ON TOP" APPLICATION IS AVAILABLE;