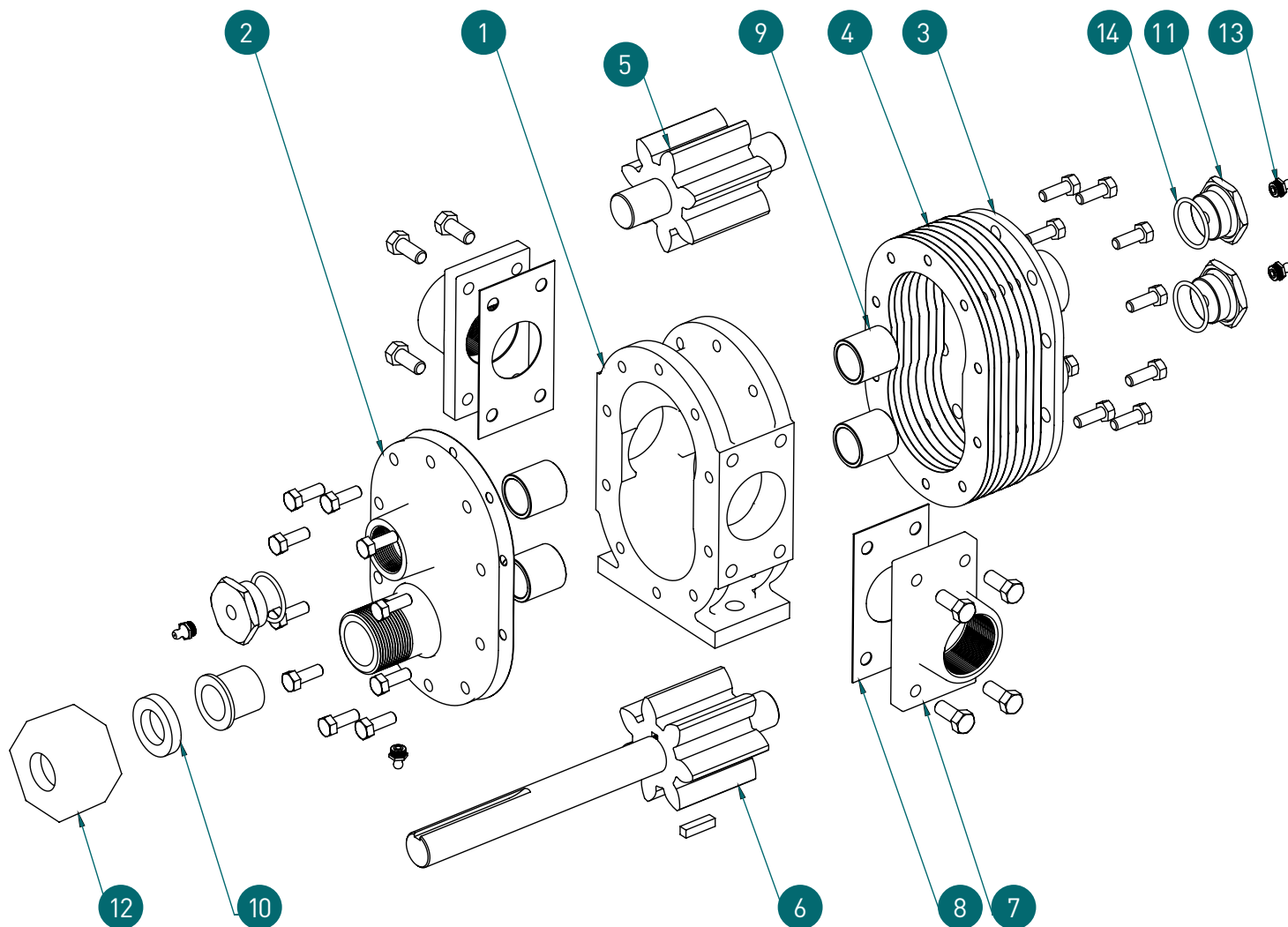


SIGNATURE™ SERIES 9100 (1.5" and 2")



Ref #	Part Number	Description	Qty
1	9103	Center Case	1
2	9102BB	Front Plate (c/w bushings)	1
3	9107BB	Back Plate (c/w bushings)	1
4	9106	Pump Gasket	9
5	9104	Buna-N Nitrile Idler Gear c/w Idler Shaft and Key	1
6	9105	Buna-N Nitrile Drive Gear c/w Drive Shaft and Key	1
7	9110F15	Adaptor Flange 1.5"	2
	9110F20	Adaptor Flange 2.0"	2

Ref #	Part Number	Description	Qty
8	9111	Adaptor Flange Gasket	2
9	9109B	Bronze Bushing	5
	9109T	Teflon Bushing	5
10	9113G	Graphite Packing	3
	9113T	Teflon Packing	3
11	9108BF	End Plug (c/w fittings)	3
12	9101	Packing Nut	1
13	9116	Grease Fitting	4
14	9127	O-Ring	3