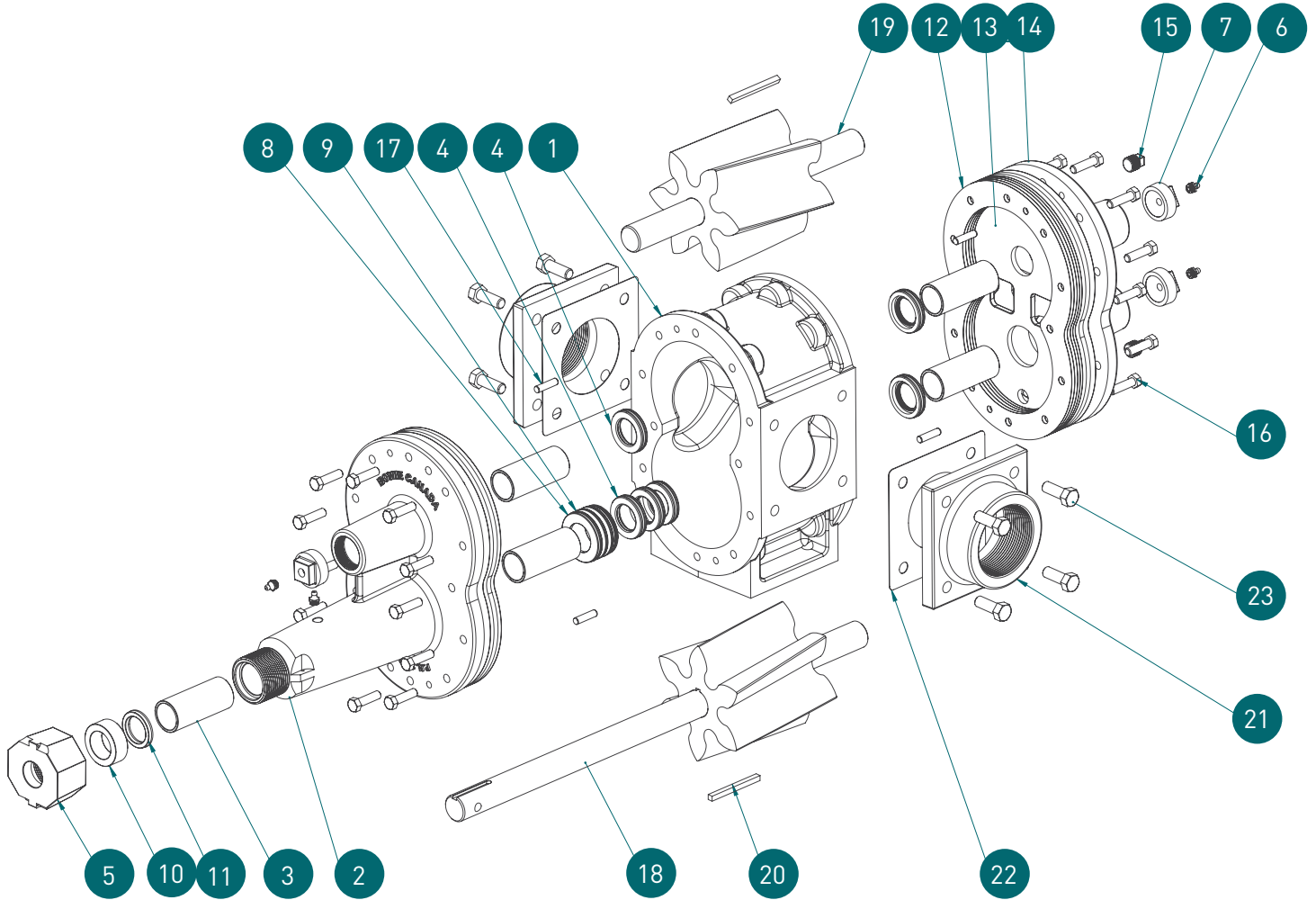


ECO-SEAL® SERIES 300ED (3" AND 4")



Ref #	Part Number	Description	Qty
1	● 303	Centre Case	1
2	4302ECO	Front Plate (c/w bushings)	1
3	4309AB	Aluminum Bronze Bushing	5
	4309T	Teflon Bushing	5
4	3325	High Performance Seal	6
5	4301	Seal Nut	1
6	3316	Grease Fitting (For Aluminum Bronze Bushings)	4
		Grease Fitting (For Teflon Bushings)	1
7	4308BF	End Plug c/w Grease Fitting (For Aluminum Bronze Bushings)	3
	4308B	End Plug (For Teflon Bushings)	3
8	ECOEDSH	Seal Cartridge	1
9	3646	O-Ring	3
10	ECOEDSL	Quick Change Sleeve	1
11	3325V	Quick Change Containment Seal	1

Ref #	Part Number	Description	Qty
12	3306	Pump Gasket	10
13	3307HWP	Wear Plate	2
14	3307ECO	End Plug (c/w fittings)	1
15	3318	Drain Plug	2
16	3314	End Plate Bolt	24
17	3315H	Dowel Pin	2
18	● 305EDN	Nitrided Buna-N Nitrile Drive Gear	1
	● 305EDHCN	Helical Steel Drive Gear	1
19	● 304EDN	Nitrided Buna-N Nitrile Idler Gear	1
	● 304EDHCN	Helical Steel Idler Gear	1
20	3304K	Gear Key	2
21	● 310	Adaptor Flange	2
22	● 311	Adaptor Flange Gasket	2
23	● 346FBK	Adaptor Flange Bolt Kit	1
	SKECOED	Seal Kit for Eco-Seal ED	1

● Any 3 digit part numbers need to have the size of the pump (2, 3, or 4") added to the front (i.e. 3" pump 3304)