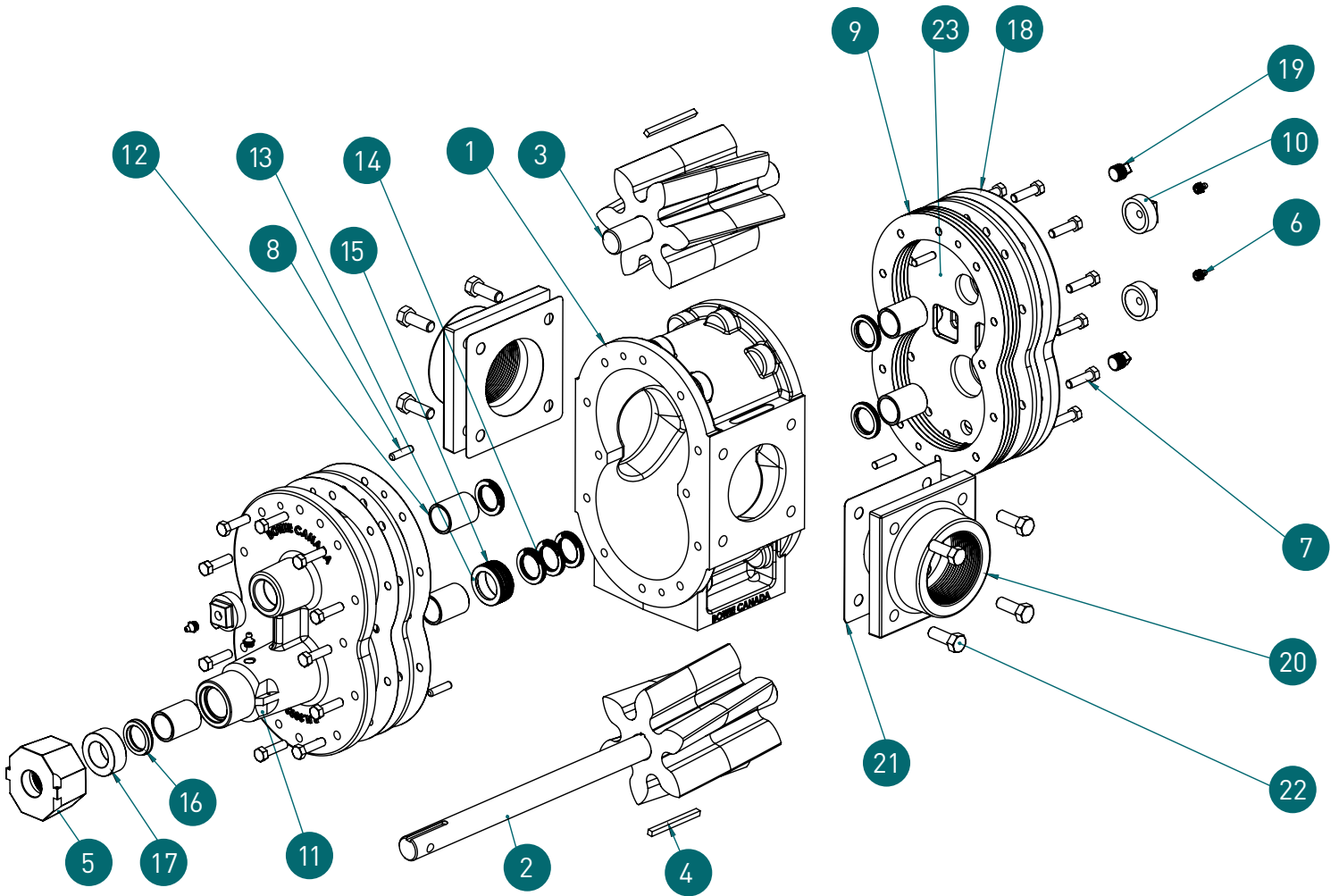


ECO-SEAL® SERIES 300S (2" AND 3")



Ref #	Part Number	Description	Qty
1	303	Centre Case	1
2	305N	Buna-N Nitrile Drive Gear c/w Drive Shaft and Key	1
	305HCN	Helical Steel Drive Gear c/w Drive Shaft and Key	1
3	304N	Buna-N Nitrile Idler Gear c/w Idler Shaft and Key	1
	304HCN	Helical Steel Idler Gear c/w Idler Shaft and Key	1
4	3304K	Gear Key – See Ref #2 and #3	2
5	3301	Seal Nut	1
6	3316	Grease Fitting (For Bronze Bushings)	4
		Grease Fitting (For Teflon Bushings)	1
7	3314	End Plate Bolt	24
8	3315H	Dowel Pin	4
9	3306	Pump Gasket	10
10	3308BF	End Plug c/w Grease Fitting (For Bronze Bushings)	3
	3308B	End Plug (For Teflon Bushings)	3

Ref #	Part Number	Description	Qty
11	3302SECO	Front Plate (c/w bushings)	1
12	309B	Bronze Bushing	5
		Teflon Bushing	5
13	ECOSH	Seal Cartridge	1
14	3326C	High Performance Seal	6
15	VTOR030	O-Ring	3
16	3326V	Quick Change Containment Seal	1
17	ECOSL	Quick Change Sleeve	1
18	3307ECO	Back Plate (c/w bushings)	1
19	3318	Drain Plug	2
20	310	Adaptor Flange	2
21	311	Adaptor Flange Gasket	2
22	346FBK	Adaptor Flange Bolt Kit	1
23	3307HWP	Wear Plate (selected pumps only)	2
	SKECO	Seal Kit for Eco-Seal S	1

● Any 3 digit part numbers need to have the port size of the pump (2" or 3") added to the front of the part number. [i.e. part number is 3303 for Centre Case for 3" pump]