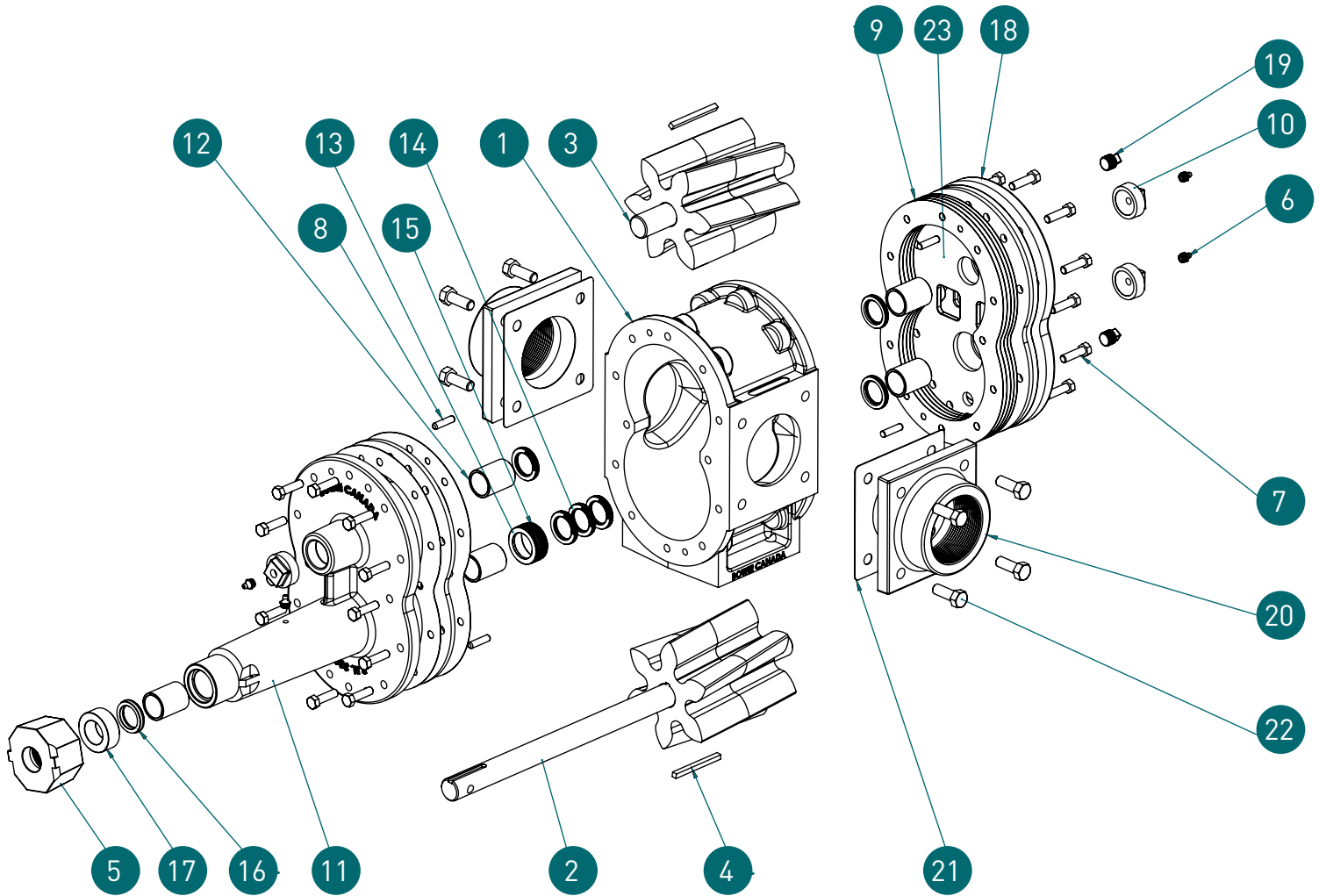


ECO-SEAL® SERIES 300 (2" AND 3")



Ref #	Part Number	Description	Qty
1	● 303	Centre Case	1
2	● 305N	Buna-N Nitrile Drive Gear c/w Drive Shaft and Key	1
	● 305HCN	Helical Steel Drive Gear c/w Drive Shaft and Key	1
3	● 304N	Buna-N Nitrile Idler Gear c/w Idler Shaft and Key	1
	● 304HCN	Helical Steel Idler Gear c/w Idler Shaft and Key	1
4	3304K	Gear Key – See Ref #2 and #3	2
5	3301	Seal Nut	1
6	3316	Grease Fitting (For Bronze Bushings)	4
		Grease Fitting (For Teflon Bushings)	1
7	3314	End Plate Bolt	24
8	3315H	Dowel Pin	4
9	3306	Pump Gasket	10
10	3308BF	End Plug c/w Grease Fitting (For Bronze Bushings)	3
	3308B	End Plug (For Teflon Bushings)	3

Ref #	Part Number	Description	Qty
11	3302SECO	Front Plate (c/w bushings)	1
12	● 309B	Bronze Bushing	5
12	● 309T	Teflon Bushing	5
13	ECOSH	Seal Cartridge	1
14	3326C	High Performance Seal	6
15	VTOR030	O-Ring	3
16	3326V	Quick Change Containment Seal	1
17	ECOSL	Quick Change Sleeve	1
18	3307ECO	Back Plate (c/w bushings)	1
19	3318	Drain Plug	2
20	● 310	Adaptor Flange	2
21	● 311	Adaptor Flange Gasket	2
22	346FBK	Adaptor Flange Bolt Kit	1
23	3307HWP	Wear Plate (selected pumps only)	2
	SKECO	Seal Kit for Eco-Seal	1

● Any 3 digit part numbers need to have the port size of the pump (2" or 3") added to the front of the part number. (i.e. part number is 3303 for Centre Case for 3" pump)