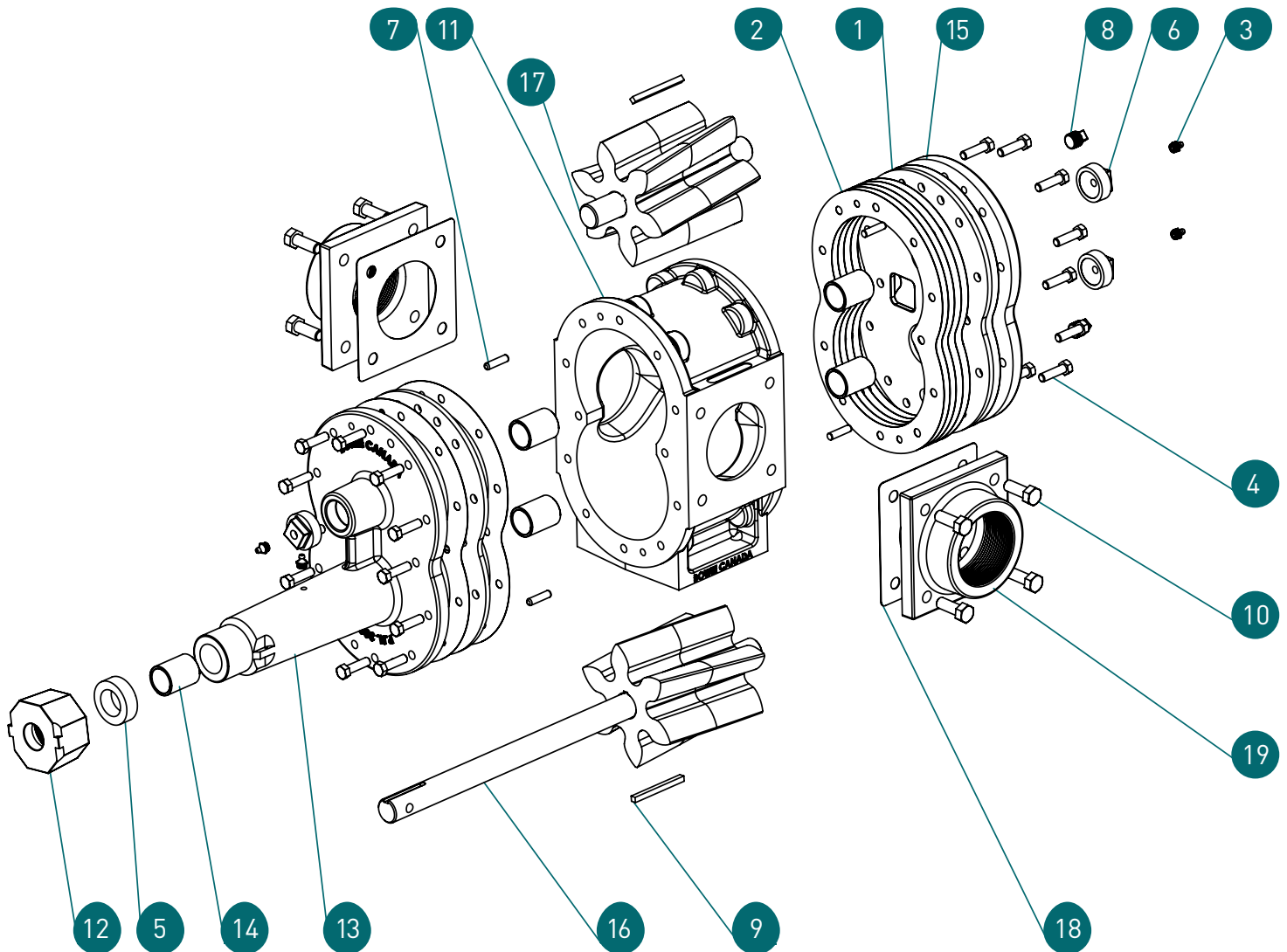


SIGNATURE™ SERIES 300 (2" AND 3")



Ref #	Part Number	Description	Qty
1	3307HPB	Wear Plate (select pumps only)	2
2	3306	Pump Gasket	10
3	3316	Grease Fitting (For Bronze Bushings)	4
		Grease Fitting (For Teflon Bushings)	1
4	3314	End Plate Bolt	24
5	3313G	Graphite Packing	3
	3313T	Teflon Packing	3
6	3308BF	End Plug c/w Grease Fitting (For Bronze Bushings)	3
	3308B	End Plug (For Teflon Bushings)	3
7	3315H	Dowel Pin	4
8	3316	Drain Plug	2
9	3304K	Gear Key – See Ref #16 and #17	2
10	346FBK	Adaptor Flange Bolt Kit	1
11	● 303	Centre Case	1

Ref #	Part Number	Description	Qty
12	3301	Packing Nut	1
13	3302	Front Plate (c/w bushings)	1
14	3309B	Bronze Bushing	5
	3309T	Teflon Bushing	5
15	3307	Back Plate (c/w bushings)	1
16	● 305	Buna-N Nitrile Drive Gear c/w Drive Shaft and Key	1
	● 305HC	Helical Steel Drive Gear c/w Drive Shaft and Key	1
17	● 304	Buna-N Nitrile Idler Gear c/w Idler Shaft and Key	1
	● 304HC	Helical Steel Idler Gear c/w Idler Shaft and Key	1
18	● 311	Adaptor Flange Gasket	2
19	● 310	Adaptor Flange	2

● Any 3 digit part numbers need to have the port size of the pump (2" or 3") added to the front of the part number. (i.e. part number is 3303 for Centre Case for 3" pump)