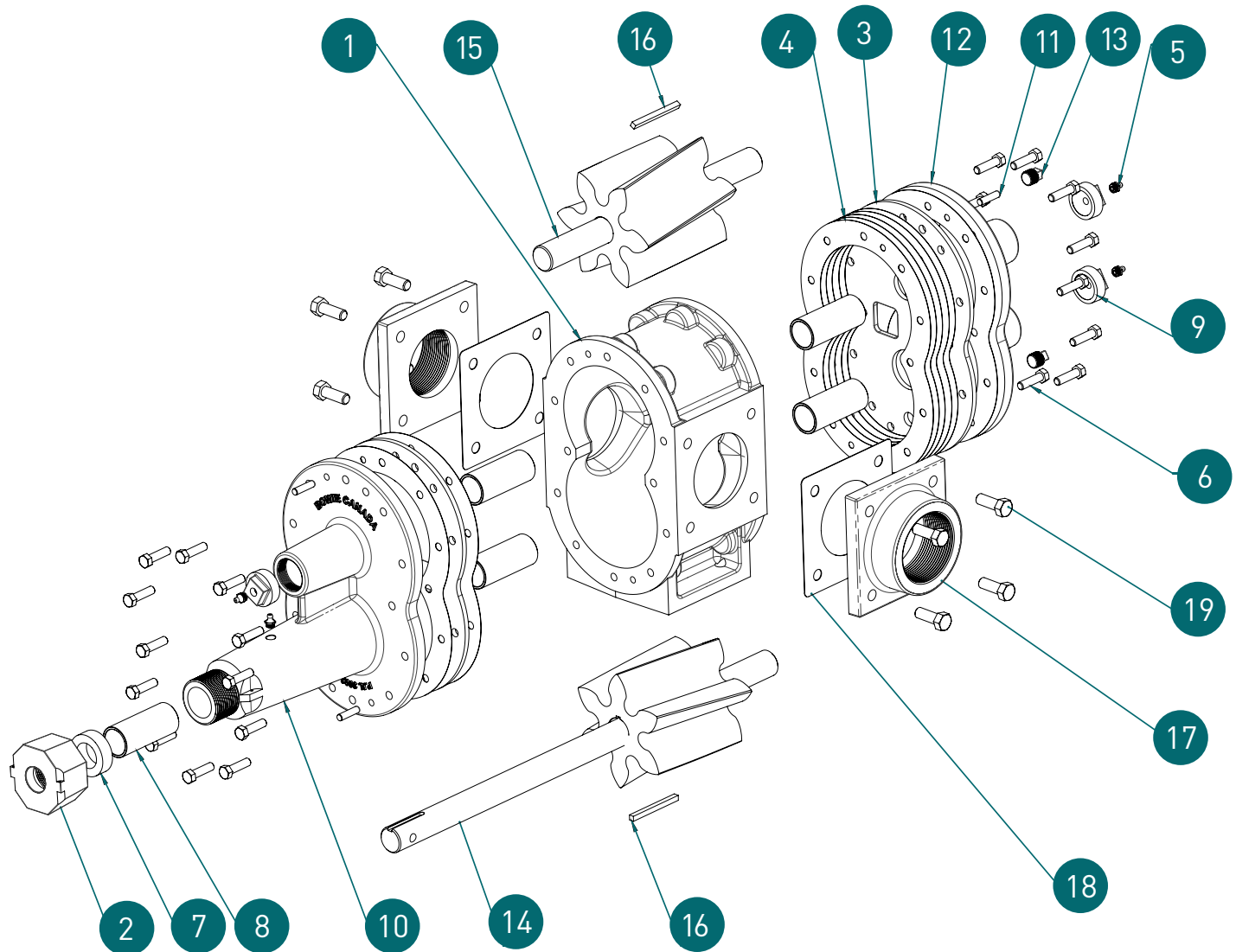


# SIGNATURE™ SERIES 300ED (3" AND 4")



Ref #	Part Number	Description	Qty
1	● 303	Centre Case	1
2	4301ED	Packing Nut	1
3	3307HPB	Wear Plate	2
4	3306	Pump Gasket	10
5	3316	Grease Fitting (For Aluminum Bronze Bushings)	4
		Grease Fitting (For Teflon Bushings)	1
6	3314	End Plate Bolt	24
7	3313G	Graphite Packing	3
	3313T	Teflon Packing	3
8	4309AB	Aluminum Bronze Bushing	5
	4309T	Teflon Bushing	5
9	4308BF	End Plug c/w Grease Fitting (For Aluminum Bronze Bushings)	3
	4308B	End Plug (For Teflon Bushings)	3

Ref #	Part Number	Description	Qty
10	4302ED	Front Plate (c/w bushings)	1
11	3315H	Dowel Pin	4
12	4307ED	Back Plate (c/w bushings)	1
13	3316	Drain Plug	2
14	● 305ED	Buna-N Nitrile Drive Gear c/w Drive Shaft and Key	1
	● 305EDHC	Helical Steel Drive Gear c/w Drive Shaft and Key	1
15	● 304ED	Buna-N Nitrile Idler Gear c/w Idler Shaft and Key	1
	● 304EDHC	Helical Steel Idler Gear c/w Idler Shaft and Key	1
16	3304K	Gear Key – See Ref #14 and #15	2
17	● 310	Adaptor Flange	2
18	● 311	Adaptor Flange Gasket	2
19	346FBK	Adaptor Flange Bolt Kit	1

● Any 3 digit part numbers need to have the port size of the pump (3" or 4") added to the front of the part number. (i.e. part number is 3303 for Centre Case for 3" pump)