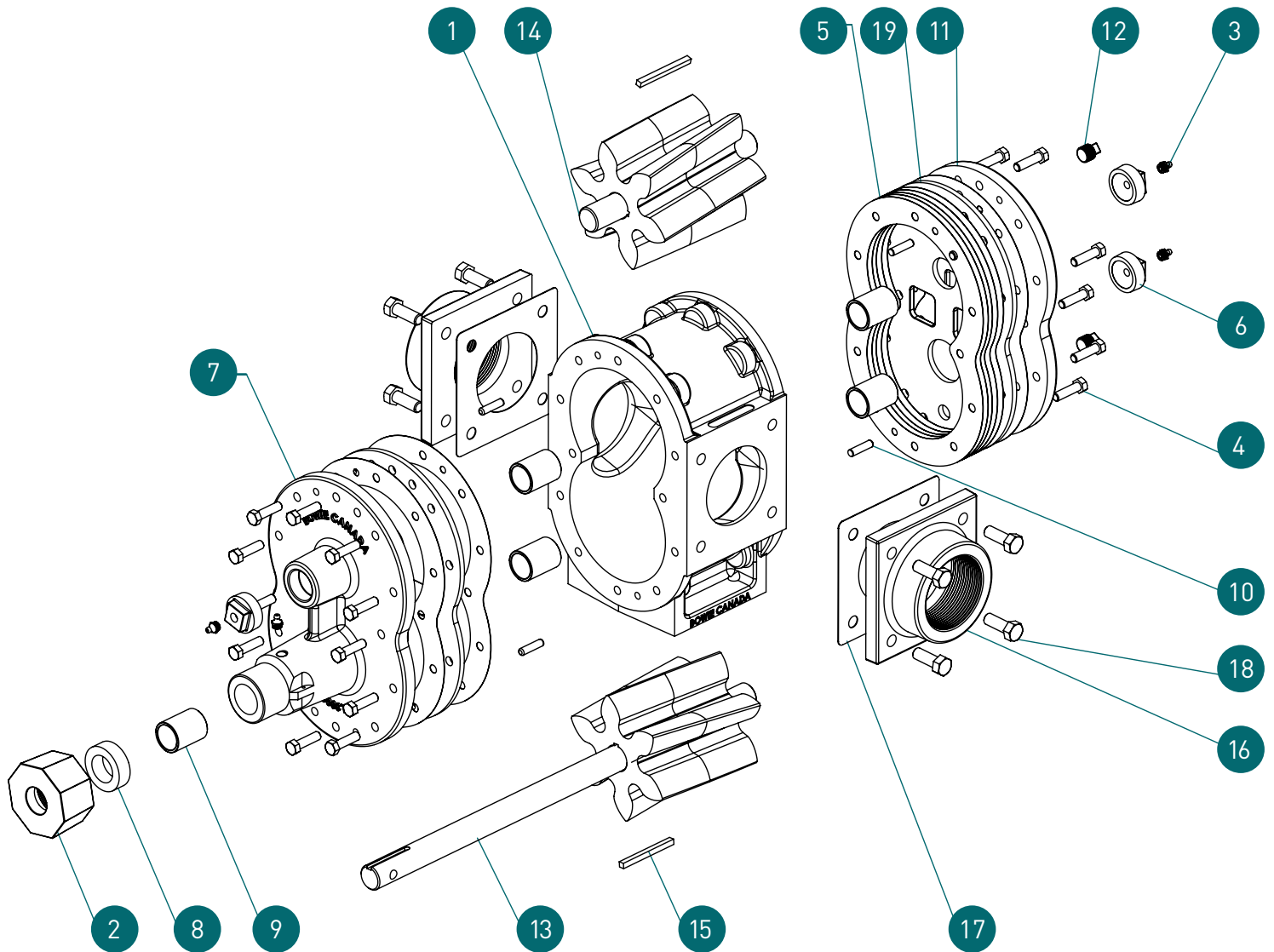


# SIGNATURE™ SERIES 300S (2" AND 3")



Ref #	Part Number	Description	Qty
1	● 303	Centre Case	1
2	3301	Packing Nut	1
3	3316	Grease Fitting (For Bronze Bushings)	4
		Grease Fitting (For Teflon Bushings)	1
4	3314	End Plate Bolt	24
5	3306	Pump Gasket	10
6	3308BF	End Plug c/w Grease Fitting (For Bronze Bushings)	3
	3308B	End Plug (For Teflon Bushings)	3
7	3302S	Front Plate (c/w bushings)	1
8	3313G	Graphite Packing	3
	3313T	Teflon Packing	3
9	3309B	Bronze Bushing	5
	3309T	Teflon Bushing	5
10	3315H	Dowel Pin	4

Ref #	Part Number	Description	Qty
11	3307	Back Plate (c/w bushings)	1
12	3316	Drain Plug	2
13	● 305	Buna-N Nitrile Drive Gear c/w Drive Shaft and Key	1
	● 305HC	Helical Steel Drive Gear c/w Drive Shaft and Key	1
14	● 304	Buna-N Nitrile Idler Gear c/w Idler Shaft and Key	1
	● 304HC	Helical Steel Idler Gear c/w Idler Shaft and Key	1
15	3304K	Gear Key – See Ref #13 and #14	2
16	● 310	Adaptor Flange	2
17	● 311	Adaptor Flange Gasket	2
18	346FBK	Adaptor Flange Bolt Kit	1
19	3307HPB	Wear Plate (select pumps only)	2

● Any 3 digit part numbers need to have the port size of the pump (2" or 3") added to the front of the part number. (i.e. part number is 3303 for Centre Case for 3" pump)