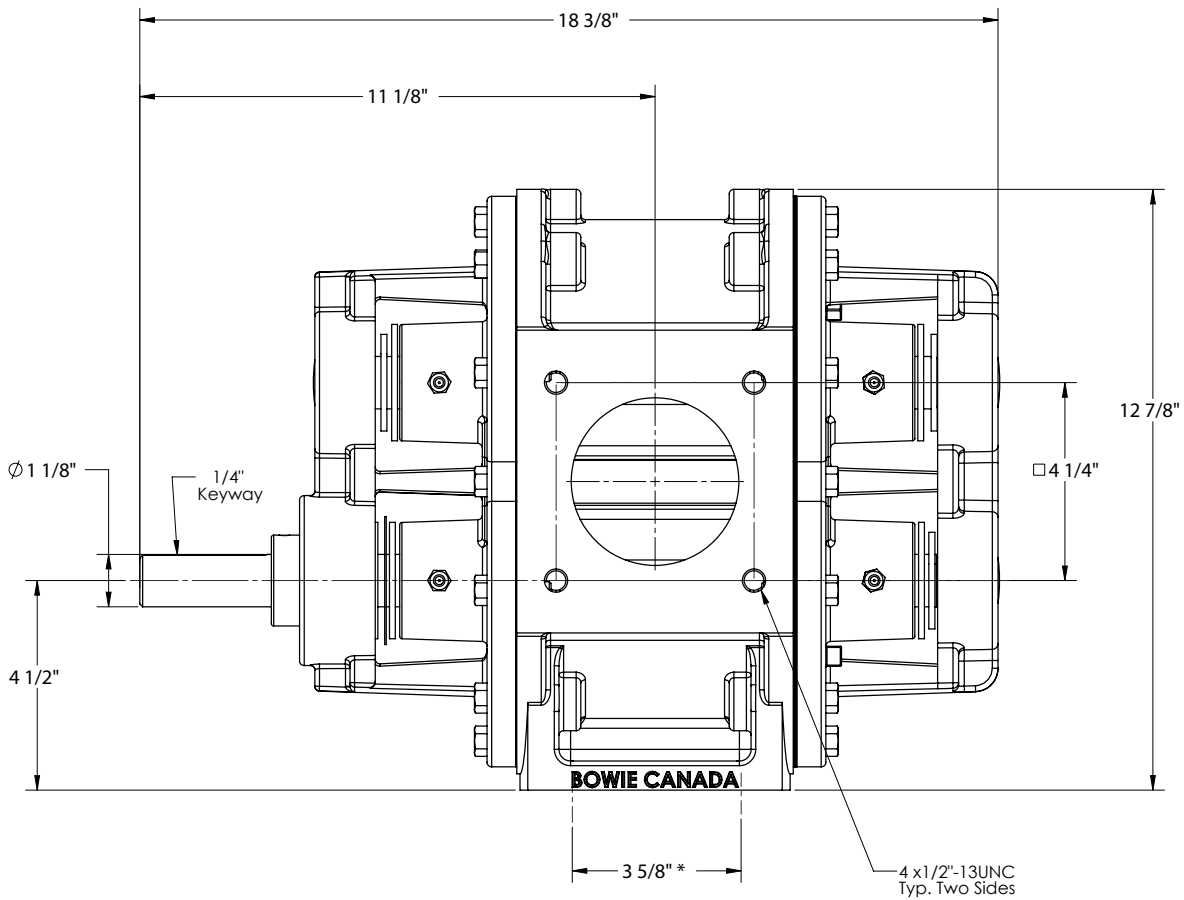
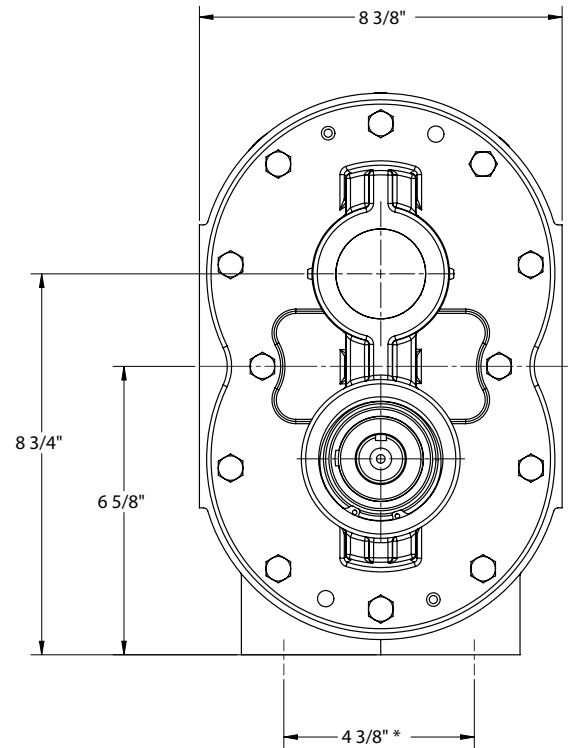
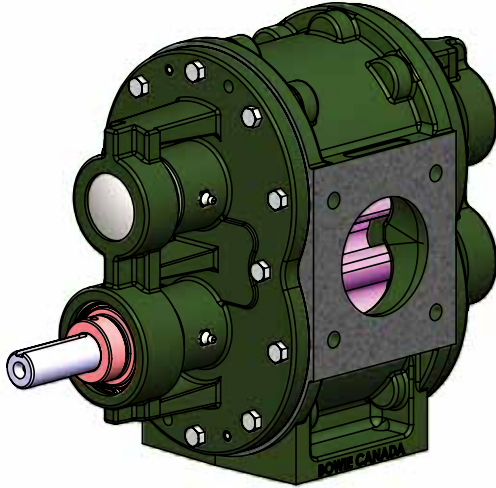


XP™ SERIES 3400

Dimensions



- * BASE BOLT PATTERN 4 x 1/2-13 UNC;
- ** DRIVE "ON TOP" APPLICATION IS AVAILABLE;