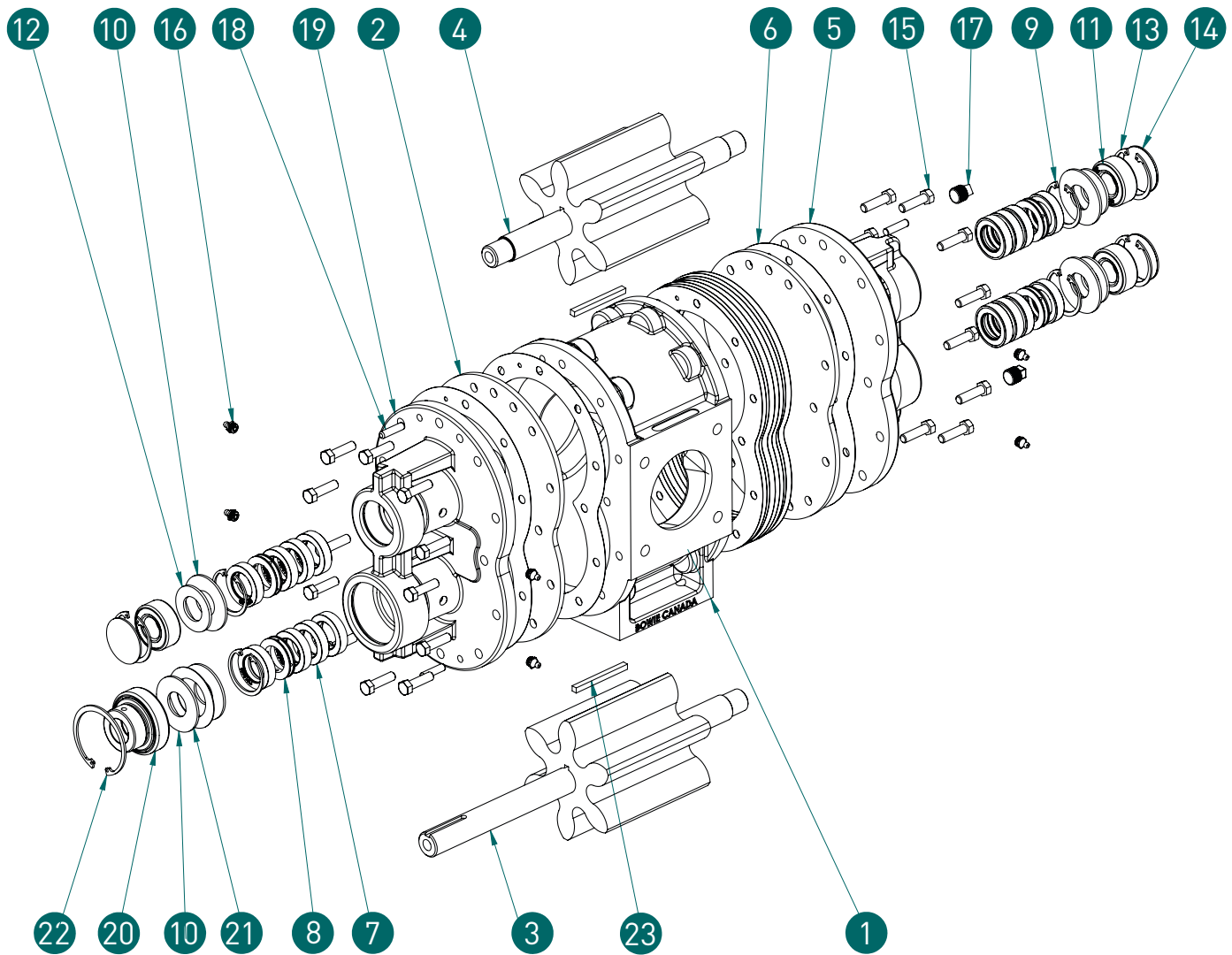


# XP™ SERIES (2" AND 3")



Ref #	Part Number	Description	Qty
1	● 303	Centre Case	1
2	3307HPB	Wear Plate* (see below)	2
3	● 420/ ● 420HP	Buna-N Nitrile Drive Gear c/w Drive Shaft and Key	1
4	● 419 ● 419HP	Buna-N Nitrile Idler Gear c/w Drive Shaft and Key	1
5	3422	Back Plate	1
6	3306	Pump Gasket	10
7	3423	Buna-N Seals	16
8	3424T	Teflon Lantern Ring	4
9	3432	Seal Lock Ring	4
10	3430	Black Washer	4
11	3425	Small Bearing	3

Ref #	Part Number	Description	Qty
12	3429	Red Washer	4
13	3427	Bearing Lock Ring	3
14	3431P	Expansion Plug	3
15	3314XL	Hex Bolt	24
16	3316	Grease Fitting	8
17	3318	Drain Plug	2
18	3315-3/8	Dowel Pin	4
19	3421	Front Plate	1
20	3426	Large Bearing	1
21	3434	Steel Washer	1
22	3428	Large Lock Ring	1
23	3304K	Gear Key – See Ref#3 and #4	2
	SB400	Seal and Bearing Kit for XP Series	

● Any 3 digit part numbers need to have the port size of the pump (2" or 3") added to the front of the part number.  
(i.e. part number is 2303 for Centre Case for 2" pump)

\* 3307HPB Wear Plate (for models with HP designations only)